



# WI-FI DOUBLE SWITCH RELAY

**RE-3315**

Technical Data Sheet

## Description

Rubetek Wi-Fi Double Switch Relay is designed to be installed in standard wall switch boxes or anywhere else where it is necessary. Relay allows to control connected light or appliances via mobile app. Due to 2 channels, it can control 2 different loads. Device is equipped with active power and energy consumption metering functionality. Relay can also be used as a hub for RF-devices (868 MHz sensors).

## Key Features



Wi-Fi 2.4 GHz



RF 868 MHz hub



Programmable timers



XTEA Encryption

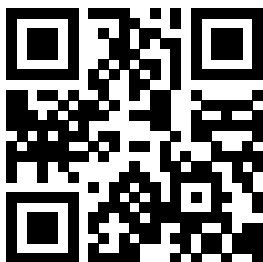


Consumption monitoring



RSSI support

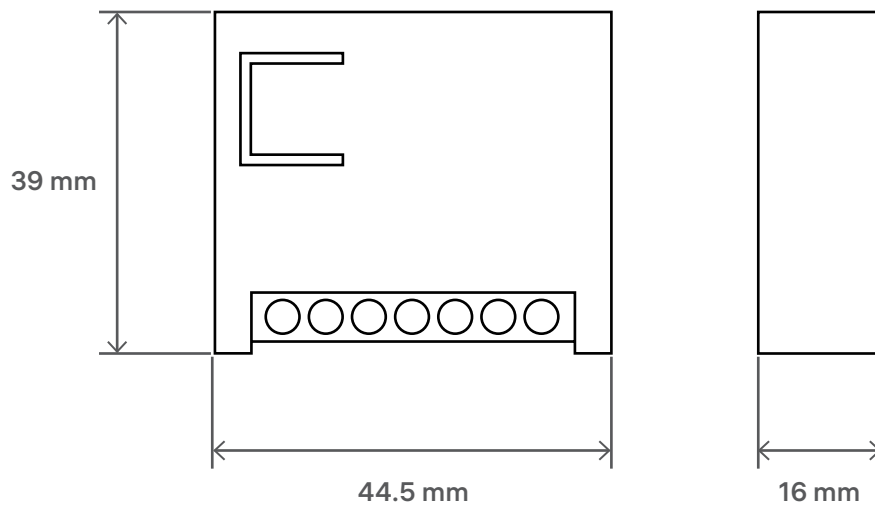
## Mobile app



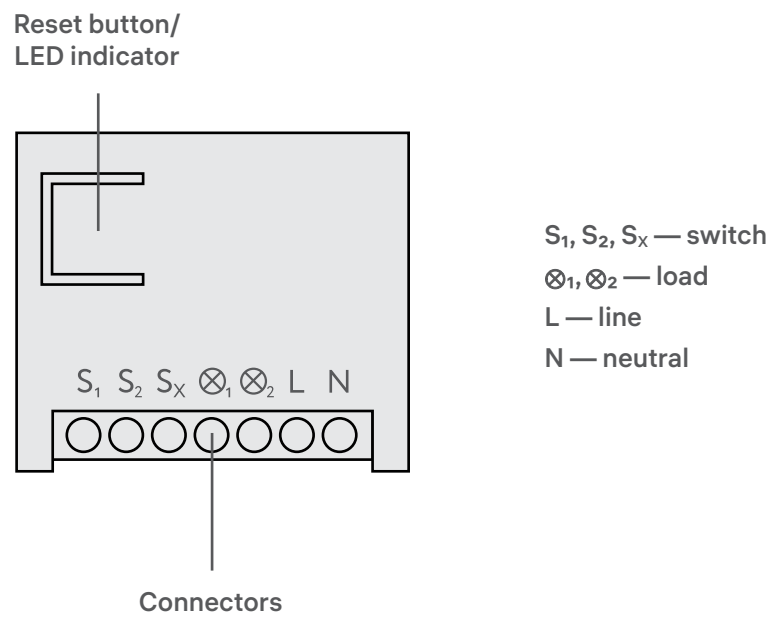
The mobile app allows you to manage the device from any place in the world. You may switch on devices and monitor their operation even when you're hundreds of miles away from home.



# Dimensions



# Basic Layout

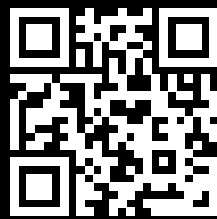


# Specifications

Connection type	Wi-Fi
Wi-Fi frequency range	2.4 GHz
Wireless communication standards	IEEE 802.11b/g/n
Support 5 GHz Wi-Fi networks	no
RSSI (Received signal strength indicator)	yes
Channels	2
Operating voltage (AC)	100-240 V, 50/60 Hz
Operating voltage (DC)	24-60 V
Maximum load current (AC)	6.5 A ( $\cos\varphi = 1$ ) 3 A ( $\cos\varphi \neq 1$ )
Maximum load current (DC)	6.5 A
Power consumption	< 2 W
Power output	up to 1.5 kW per channel
Support 433 MHz sensors	no
Support 868 MHz sensors	yes
Power consumption monitoring	yes
Encryption	XTEA
FOTA (Firmware Over-the-Air)	yes
Timers	10 to turn on, 10 to turn off
Voltage protection	yes
Current protection	yes
State recovery after power outage	yes
Operating temperature	0°C...+40°C
Operating humidity	up to 80% non-condensing
Installation	interior only
Mobile App	iOS (version 15.0 or higher) Android (version 7.0 or higher)
Case material	plastic
Dimensions	44.5×39×16 mm
Weight	32 g

# Package Contents

Wi-Fi Double Switch Relay RE-3315	1 pc
Manual	1 pc
Warranty card	1 pc



[rubetek.com](http://rubetek.com)