



IP CAMERA
RV-3423

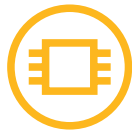
Technical Data Sheet

Description

Rubetek IP Camera RV-3423 uses 2.4/5 GHz Wi-Fi technology. The Camera is equipped with pan and tilt function, motion and noise sensors, two-way audio, infrared illumination and local storage capability.

In addition, it is possible to set the privacy mode and output the video stream to IP video recorders using ONVIF standards.

Key Features



2 MP CMOS sensor



24/7 recording



Motion detection with active area



Night vision

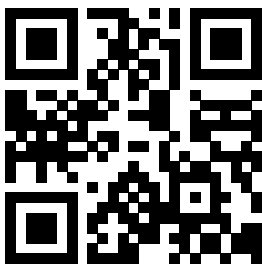


Pan and tilt function



MicroSD up to 128 GB

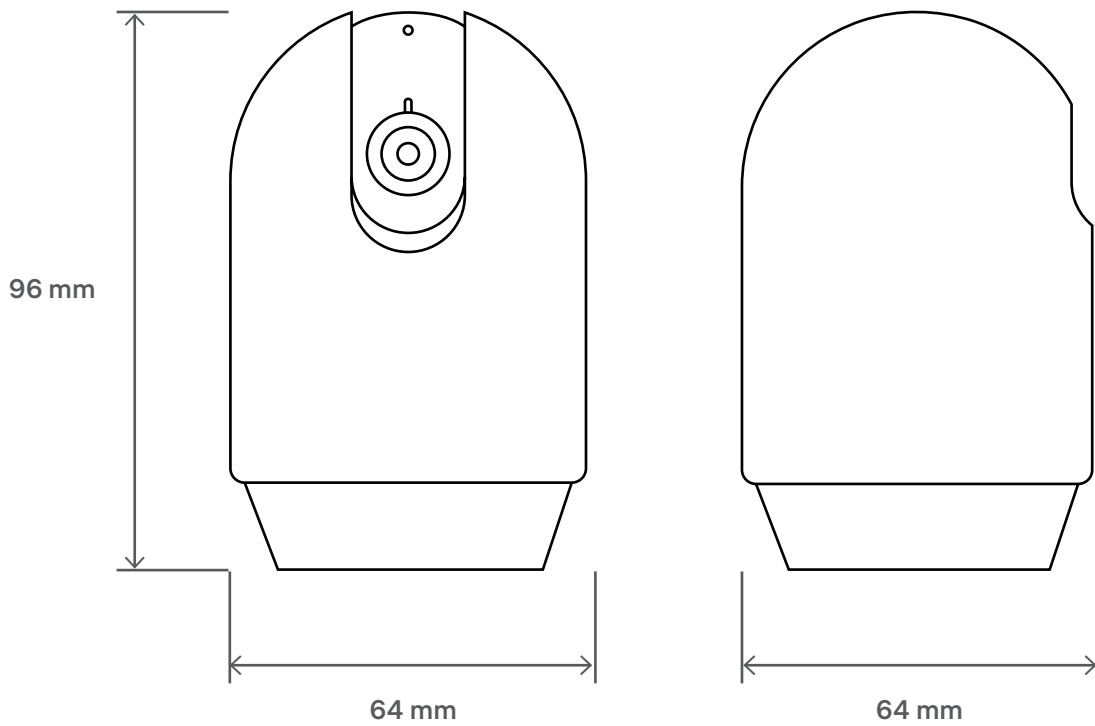
Mobile app



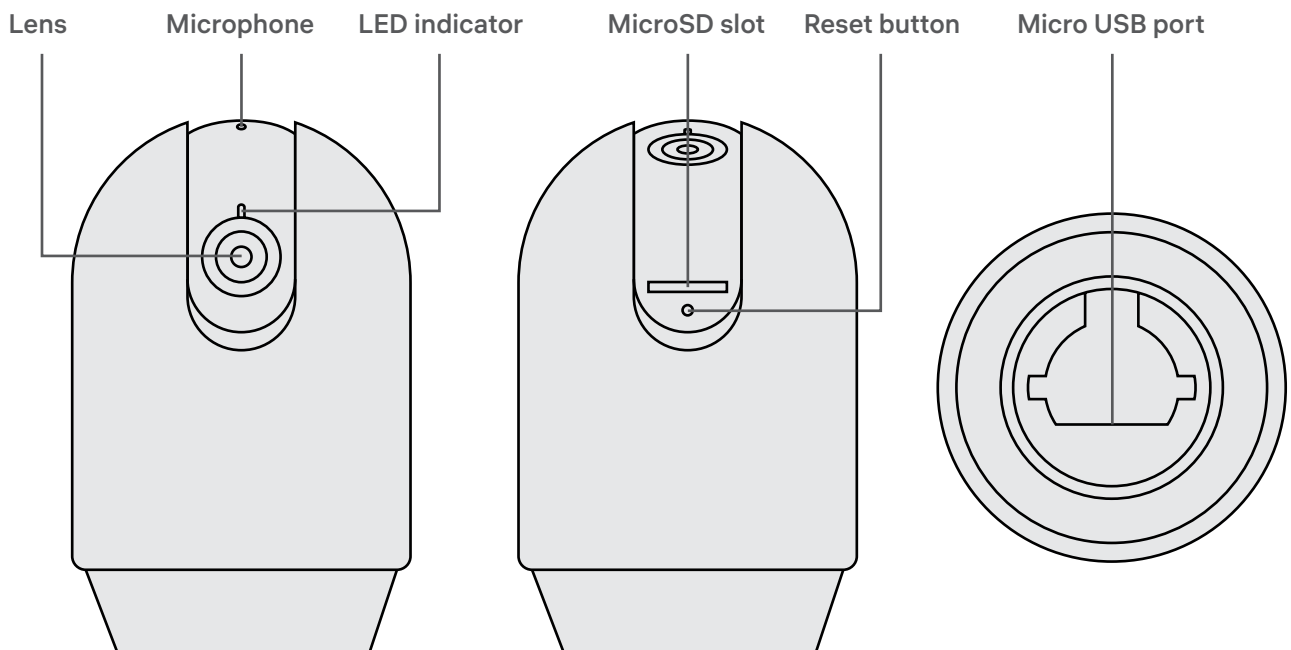
The mobile app allows you to manage the device from any place in the world. You may switch on devices and monitor their operation even when you're hundreds of miles away from home.



Dimensions



Basic Layout



Specifications

Connection type	Wi-Fi
Wi-Fi frequency range	2.4/5 GHz
Support for 5GHz networks	yes
Resolution	Full HD 1080P (1920×1080) VGA (640×360)
Sensor	1/2.9" 2 MP CMOS
Lens	3.6 mm F2.0
FOV(H/V/D)	85°/46°/100°
Pan/tilt	0°~345°/-15°~60°
Minimum illumination level	color 0.1 lx, b/w 0.01 lx
IR distance	10 m
Day/Night mode	auto/color/b&w
Video compression	H.264
Frame rate	25 fps
Streaming protocol	ONVIF, WebRTC, RTSP
Audio compression	G.711
Type of audio connection	half-duplex
Microphone range	5 m
PoE support	no
Local storage	microSD up to 128 GB and write speed up to 10 Mbit/sec
Backup power supply	no
Power supply	DC 5 V, 1 A
Power consumption	4.5 W
Cable length	2 m
Protection rating	IP20
Installation	interior only
Mounting method	on horizontal surfaces
Operating temperature	-20°C...+50°C
Operating humidity	up to 90% non-condensing
Dimensions	64×64×96 mm
Weight	160 g

Available Colors



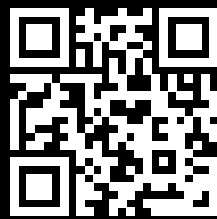
White



Black

Package Contents

IP Camera RV-3423	1 pc
Power supply 5 V, 1 A	1 pc
Power cable (Micro USB to USB)	1 pc
Bracket for mounting on the ceiling	1 pc
Mounting kit	1 pc
3M tape	1 pc
Pin for reset	1 pc
Manual	1 pc
Warranty card	1 pc



rubetek.com