



**WI-FI PLUG**  
**RE-3305**

Technical Data Sheet

## Description

Rubetek Wi-Fi Plug is designed to control any connected appliances remotely. Plug equipped with LED indicators which show current consumption level of connected device. It is also equipped with power and energy metering function. Plug can be used as a hub for RF-devices (433 and 868 MHz sensors).

## Key Features



Wi-Fi 2.4 GHz



RF 433/868 MHz hub



Programmable timers



XTEA Encryption

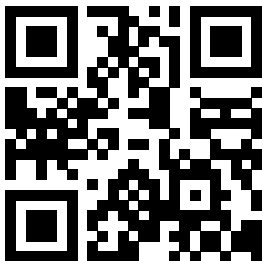


Consumption monitoring



RSSI support

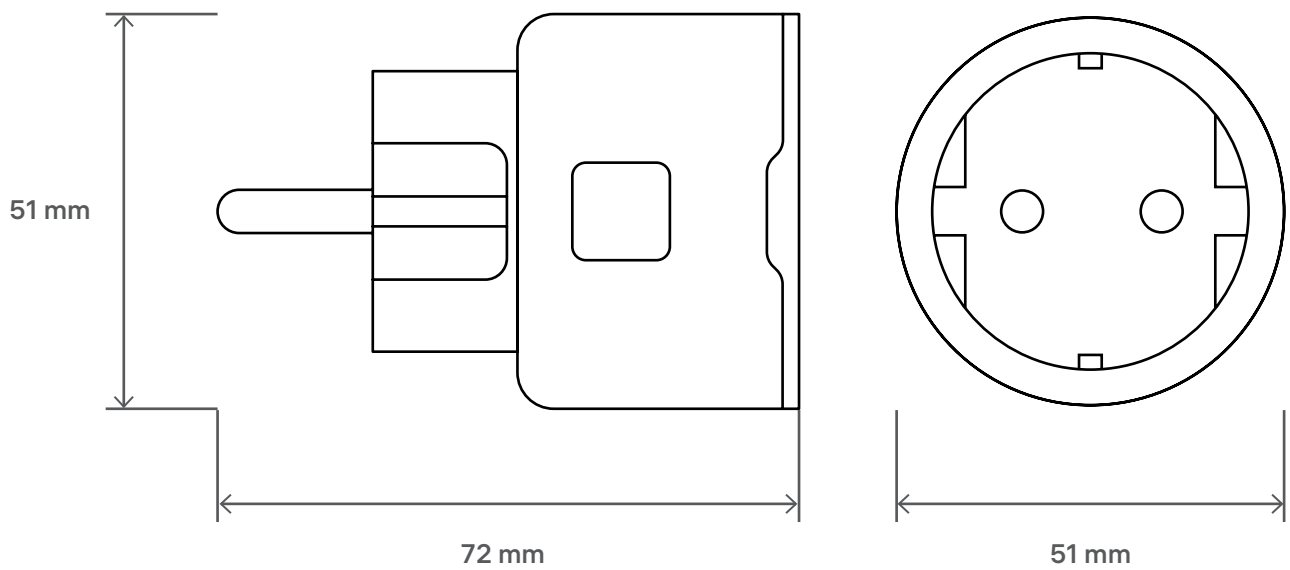
## Mobile app



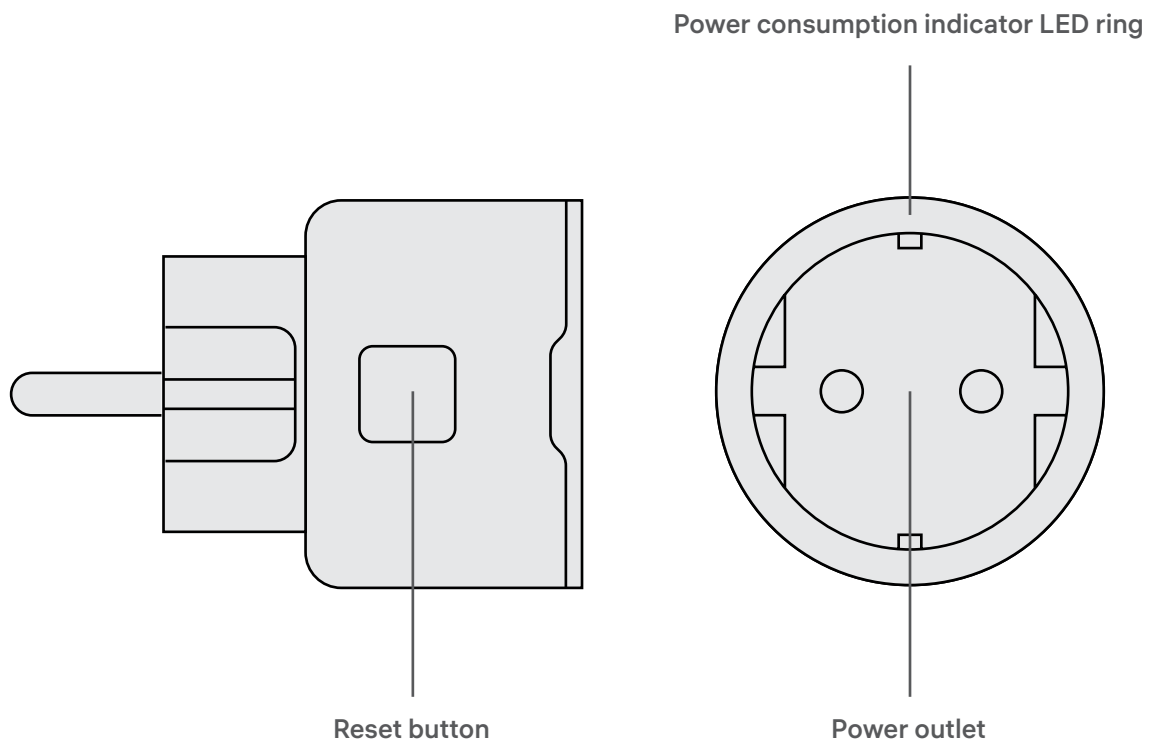
The mobile app allows you to manage the device from any place in the world. You may switch on devices and monitor their operation even when you're hundreds of miles away from home.



## Dimensions



## Basic Layout



# Specifications

Connection type	Wi-Fi
Wi-Fi frequency range	2.4 GHz
Wireless communication standards	IEEE 802.11b/g/n
Support 5 GHz Wi-Fi networks	no
RSSI (Received signal strength indicator)	yes
Power supply	AC 230 V 50 Hz
Maximum load current	11 A, 110-230 V, 50 Hz
Power consumption	< 0.8 W
Power output	up to 3 kW
Support 433 MHz sensors	yes
Support 868 MHz sensors	yes
Power consumption monitoring	yes
Encryption	XTEA
FOTA (Firmware Over-the-Air)	yes
Timers	10 to turn on, 10 to turn off
Outlet type	EU Type F (Schuko)
Grounding	yes
Voltage protection	yes
Current protection	yes
State recovery after power outage	yes
Operating temperature	0°C...+40°C
Operating humidity	up to 80% non-condensing
Installation	interior only
Mobile App	iOS (version 15.0 or higher) Android (version 7.0 or higher)
Case material	plastic
Dimensions	51×51×72 mm
Weight	79 g

# Package Contents

Wi-Fi Plug RE-3305	1 pc
Manual	1 pc
Warranty card	1 pc



[rubetek.com](http://rubetek.com)