



**LIGHT SENSOR**

**RL-3201**

Technical Data Sheet

## Description

Rubetek Light Sensor is a compact, battery-powered wireless device.

Sensor measures luminous flux incident on its surface and sends signal to the hub device when actual illuminance level is reached. It is also equipped with tamper protection to notify you of any attempts to open or remove it.

To add Light Sensor in the mobile app you need a hub device.

## Key Features



Wireless



RF 868 MHz



Battery life up to 3 years



XTEA Encryption

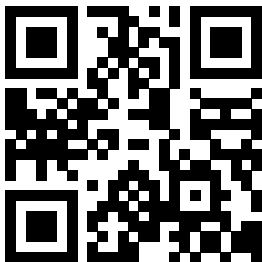


Over-the-Air updates



Indoor use

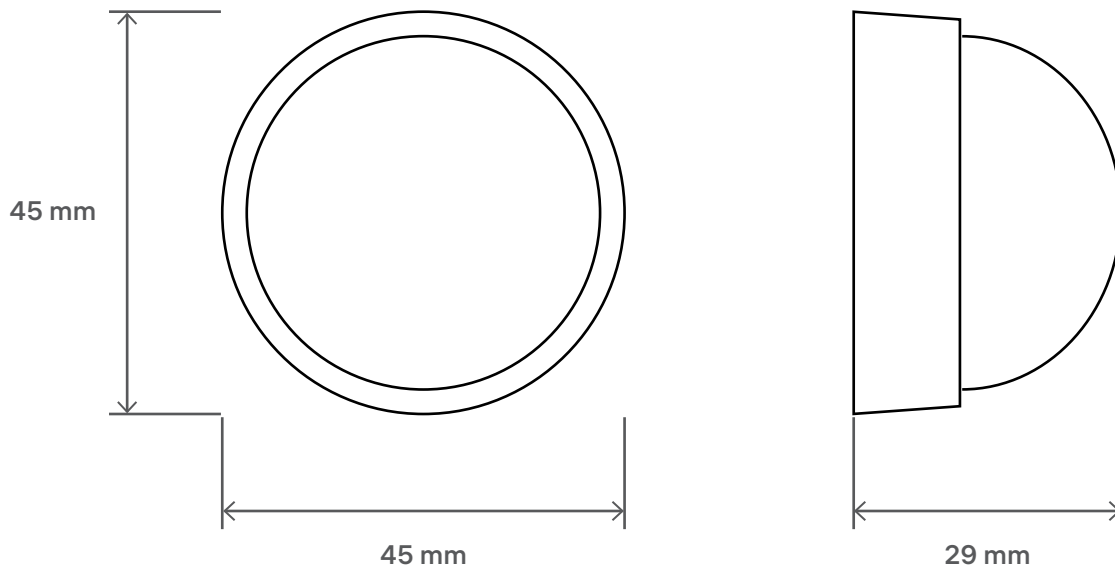
## Mobile app



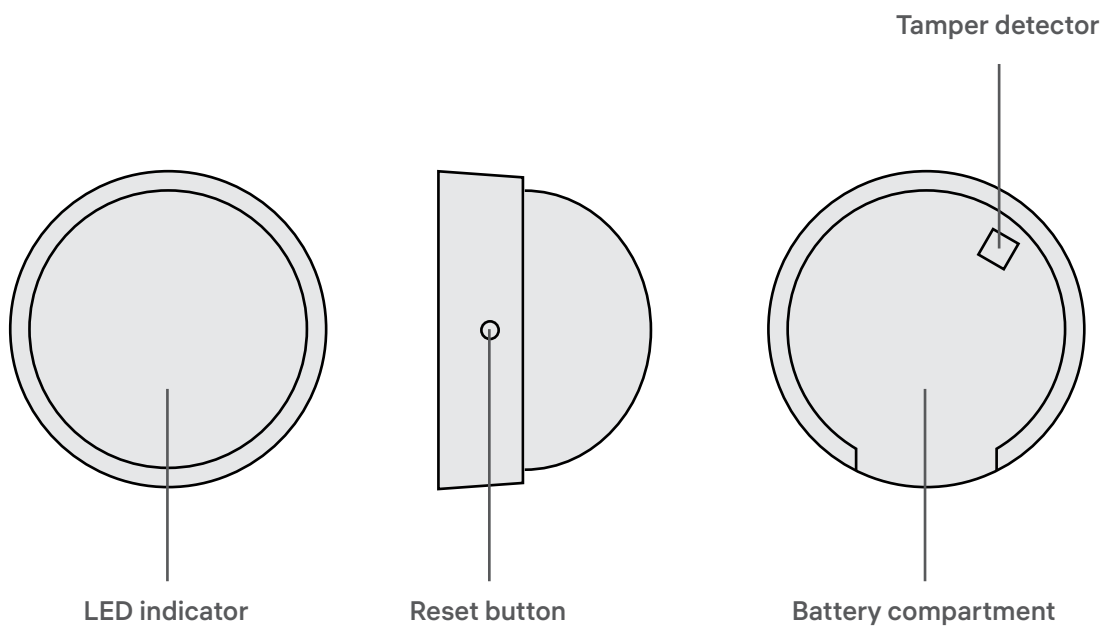
The mobile app allows you to manage the device from any place in the world. You may switch on devices and monitor their operation even when you're hundreds of miles away from home.



# Dimensions



# Basic Layout



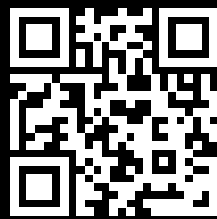
# Specifications

## General Parameters

Connection type	RF 868 MHz
Radio signal range	up to 200 m outdoors
Light sensitivity range	0 to 32767 lx
Operating voltage	3 V
Battery	CR2450
Battery life	up to 3 years
Operability confirmation interval	30 min
Battery level data	yes
RSSI (Received signal strength indicator)	yes
FOTA (Firmware Over-the-Air)	yes
Operating temperature	0°C...+40°C
Operating humidity	up to 80% non-condensing
Tamper detection	yes
Installation	interior only
Case material	plastic
Dimensions	45×45×29 mm
Weight	22 g

# Package Contents

Light Sensor RL-3201	1 pc
CR2450 battery	1 pc
3M tape	1 pc
Pin for reset	1 pc
Manual	1 pc
Warranty card	1 pc



[rubetek.com](http://rubetek.com)