



WIRELESS ADDRESSABLE OPTICAL SMOKE DETECTOR

SDW-1

Technical Data Sheet

Description

The device is designed for early detection of fire outbreaks accompanied by the appearance of low-concentration smoke inside a controlled space in enclosed spaces of various buildings and structures, and transmission of «Fire» signal, as well as signals about its technical condition to the controllers of RUBETEK fire alarm system. It is used with CP-1 receiving and control device (Control Panel) and, through RE-1 radio expander, with SC-1 controller. Communication with system devices is carried out via RF 868 MHz wireless protocol.

Key Features



RF 868 MHz



Easy system setup

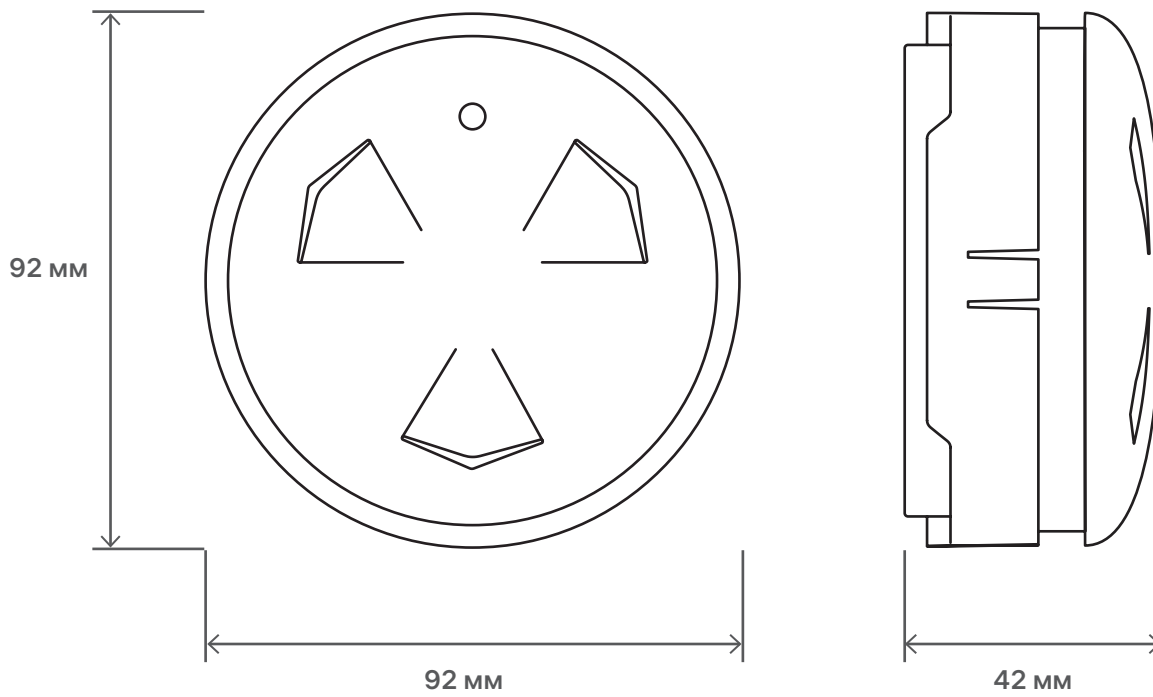


Over-the-Air updates

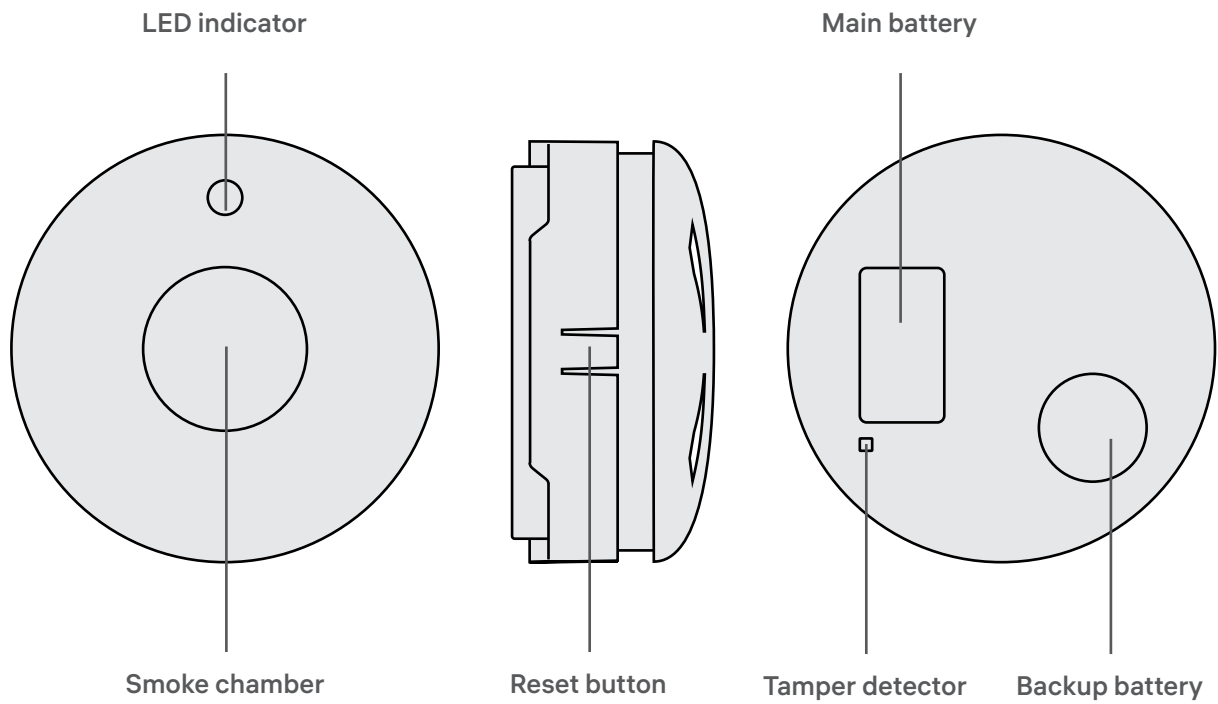


Long battery life

Dimensions



Basic Layout



Specifications

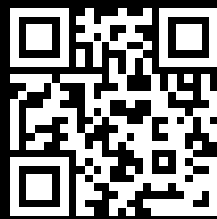
General Parameters

Connection type	RF 868 MHz
Power supply, V	main: 3 V, CR123A 1500 mAh battery backup: 3 V, CR2032 210 mAh battery
Battery life	basic: at least 3 years standby: at least 3 months
Sensitivity, dB/m	from 0.05 to 0.2 dB/m
Maximum communication range (in open terrain), m	900
Signal encryption	XTEA 128bit
Number of channels within the frequency range, pcs	5
Radiation power, MW, not more than	25
Tamper alarm	yes
Operating temperature, °C	from -10 to +55
Operating relative humidity, non-condensing	up to 93% at +40°C
Case protection rating	IP20
Dimensions, mm	Ø 92 x 42
Weight, g, not more than	100 ± 5%
Average service life, years	10
Average time to failure, h	60000

Package Contents

Wireless Addressable Optical Smoke Detector SDW-1	1 pc
Base	1 pc preinstalled
CR123A battery	1 pc preinstalled
CR2032 battery	1 pc preinstalled
Protective cover	1 pc preinstalled
Mounting kit	1 pc
Technical certificate	1 pc*
Group packaging	1 pc*

* per shipping lot or per every 27 pcs



rubetek.com