



IP CAMERA
RV-3428

Technical Data Sheet

Description

Rubetek IP Camera RV-3428 uses 2.4 GHz Wi-Fi technology. The Camera is equipped with 2 rechargeable Li batteries, PIR motion and noise sensors, two-way audio, infrared illumination and local storage capability.

Key Features



Solar panel support



Rechargeable Li batteries



PIR motion sensor



Night vision

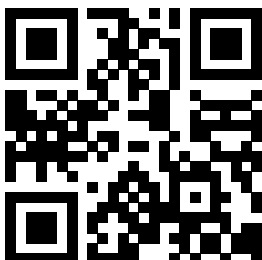


Two-way audio



MicroSD up to 128 GB

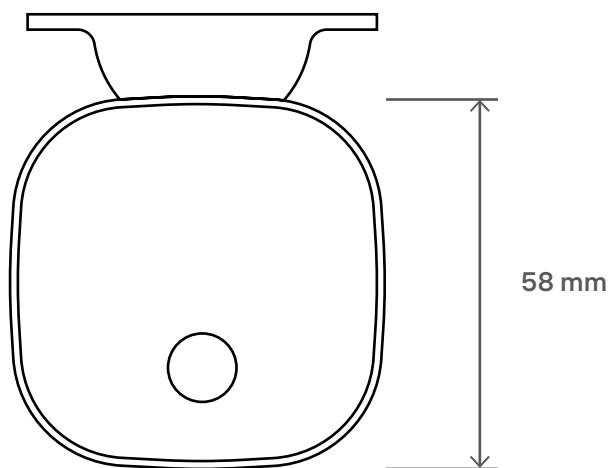
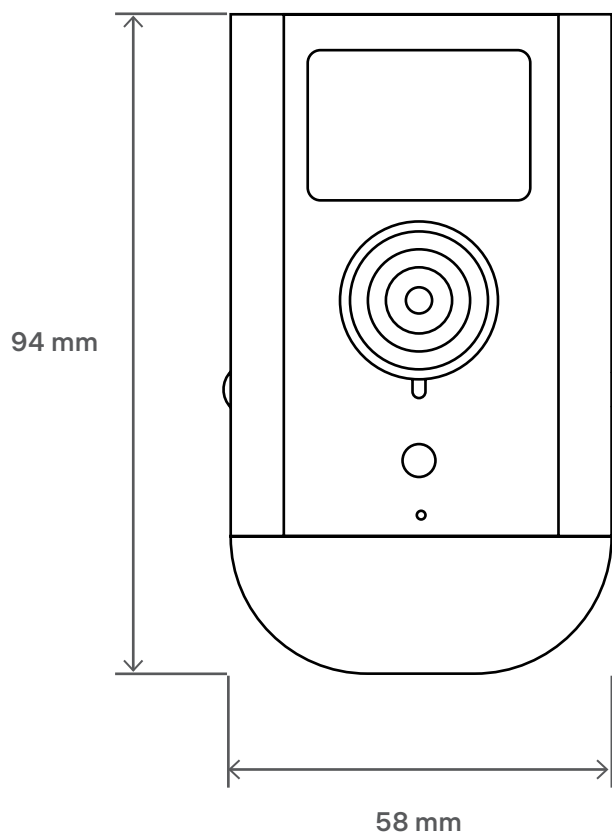
Mobile app



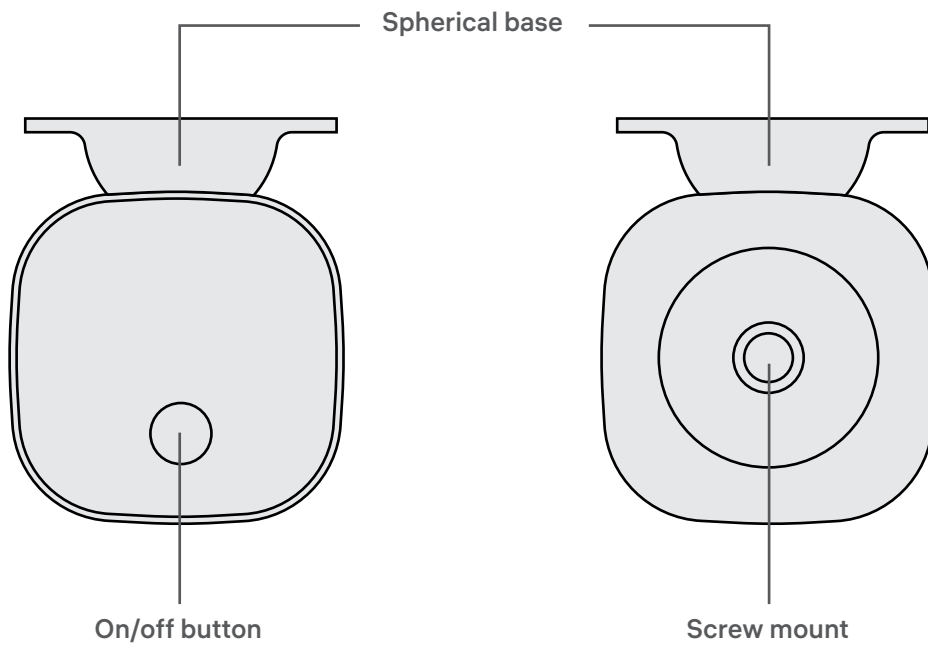
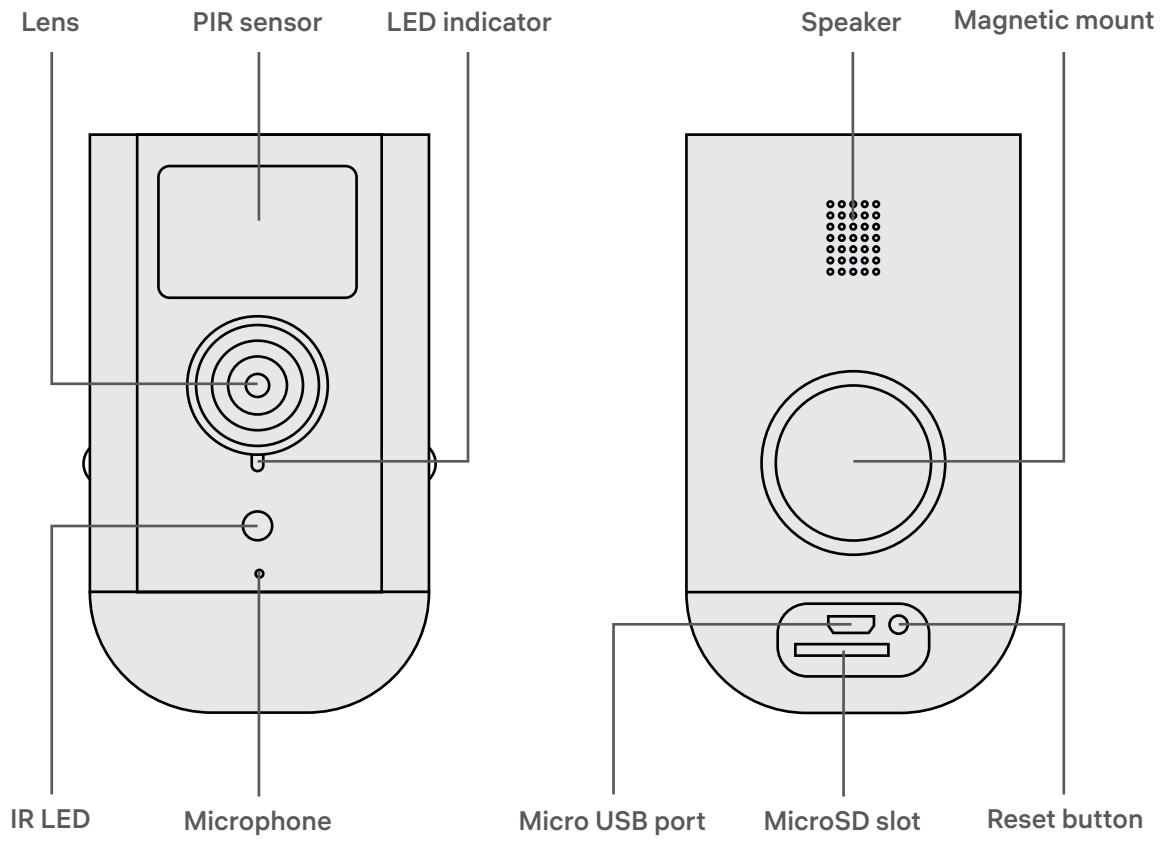
The mobile app allows you to manage the device from any place in the world. You may switch on devices and monitor their operation even when you're hundreds of miles away from home.



Dimensions



Basic Layout

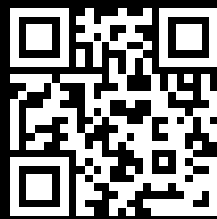


Specifications

Connection type	Wi-Fi
Wi-Fi frequency range	2.4 GHz
Support for 5GHz networks	no
Resolution	Full HD 1080P (1920×1080) VGA (640×360)
Sensor	1/2.9" 2 MP CMOS
Lens	3.2 mm F2.0
FOV(H/V/D)	106°/57°/130°
Minimum illumination	color 0.1 lx, b/w 0.01 lx
IR distance	10 m
Day/Night mode	auto/color/b&w
PIR detection range	9 m
PIR angle	120°
Video compression	H.264
Frame rate	25 fps
Protocol	WebRTC
Audio compression	G.711
Type of audio connection	half-duplex
Microphone range	5 m
PoE support	no
Local storage	microSD up to 128 GB and write speed up to 10 Mbit/sec
Backup power supply	5200 mAh rechargeable Li batteries
Battery life	2-3 months (10 times wake up per day)
Power supply	DC 5 V, 1 A
Power consumption	2 W
Cable length	1 m
Protection rating	IP65
Installation	outdoors
Mounting method	on horizontal and vertical surfaces
Operating temperature	-20°C...+50°C
Operating humidity	up to 90% non-condensing
Dimensions	58×58×94 mm
Weight	225 g

Package Contents

IP Camera RV-3428	1 pc
Power supply 5 V, 1 A	1 pc
Power cable (Micro USB to USB)	1 pc
Spherical base for mounting	1 pc
Bracket for mounting	1 pc
Mounting kit	2 pcs
Manual	1 pc
Warranty card	1 pc



rubetek.com