

WI-FI SINGLE SWITCH RELAY

RE-3313

Technical Data Sheet

Description

Rubetek Wi-Fi Single Switch Relay is designed to be installed in standard wall switch boxes or anywhere else where it is necessary. Relay allows to control connected light or appliances via mobile app. It is equipped with active power and energy consumption metering functionality. Relay can also be used as a hub for RF-devices (868 MHz sensors).

Key Features



Wi-Fi 2.4 GHz



RF 868 MHz hub



Programmable timers



XTEA Encryption

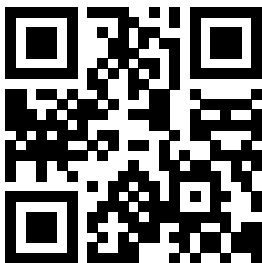


Consumption monitoring



RSSI support

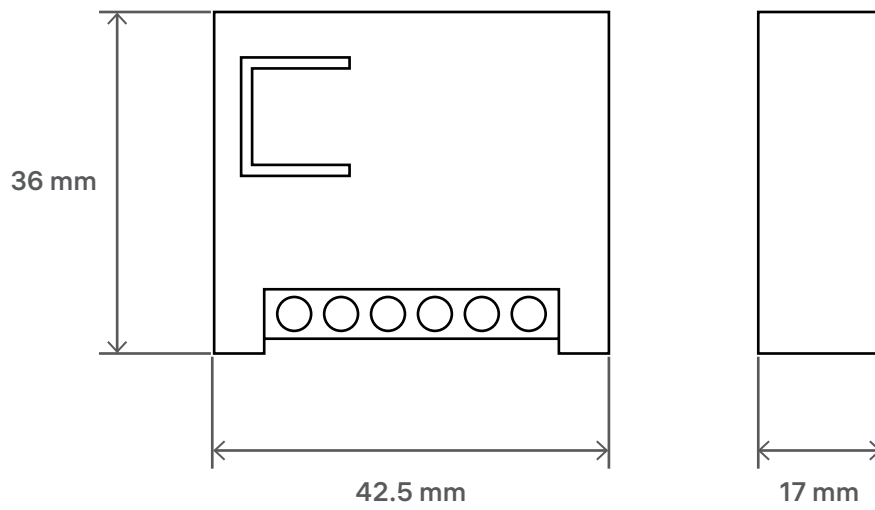
Mobile app



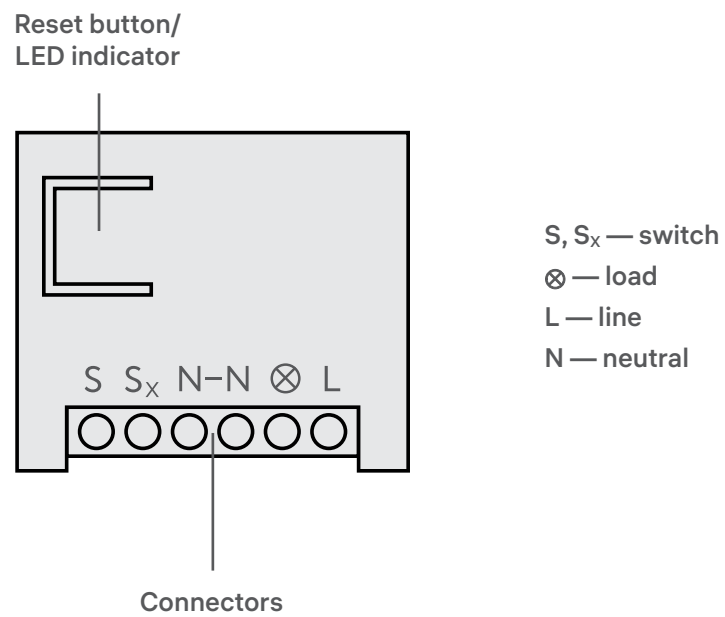
The mobile app allows you to manage the device from any place in the world. You may switch on devices and monitor their operation even when you're hundreds of miles away from home.



Dimensions



Basic Layout



Specifications

| | |
|---|---|
| Connection type | Wi-Fi |
| Wi-Fi frequency range | 2.4 GHz |
| Wireless communication standards | IEEE 802.11b/g/n |
| Support 5 GHz Wi-Fi networks | no |
| RSSI (Received signal strength indicator) | yes |
| Channels | 1 |
| Operating voltage (AC) | 100-240 V, 50/60 Hz |
| Operating voltage (DC) | 24-60 V |
| Maximum load current (AC) | 13 A ($\cos\varphi = 1$) 6.5 A ($\cos\varphi \neq 1$) |
| Maximum load current (DC) | 10 A |
| Power consumption | < 2 W |
| Power output | up to 3 kW |
| Support 433 MHz sensors | no |
| Support 868 MHz sensors | yes |
| Power consumption monitoring | yes |
| Encryption | XTEA |
| FOTA (Firmware Over-the-Air) | yes |
| Timers | 10 to turn on, 10 to turn off |
| Voltage protection | yes |
| Current protection | yes |
| State recovery after power outage | yes |
| Operating temperature | 0°C...+40°C |
| Operating humidity | up to 80% non-condensing |
| Installation | interior only |
| Mobile App | iOS (version 15.0 or higher) Android (version 7.0 or higher) |
| Case material | plastic |
| Dimensions | 42.5×36×17 mm |
| Weight | 31 g |

Package Contents

| | |
|-----------------------------------|------|
| Wi-Fi Single Switch Relay RE-3313 | 1 pc |
| Manual | 1 pc |
| Warranty card | 1 pc |



rubetek.com