



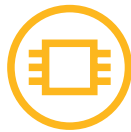
**IP CAMERA**  
**RV-4324**

Technical Data Sheet

## Description

Rubetek RV-4324 IP Camera is designed for continuous outdoor video surveillance. Thanks to its built-in infrared illumination and automatic night mode it is suitable for use in low-light conditions. The Camera is equipped with additional power filter and has built-in inverse-polarity and overvoltage protection. It can be mounted on any non-conductive surface in horizontal or vertical position.

## Key Features



4 MP CMOS sensor



2.8–12 mm variofocal lens



ONVIF streaming



Infrared night vision

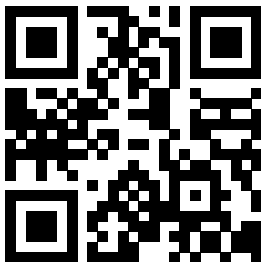


IP67 rating



PoE support

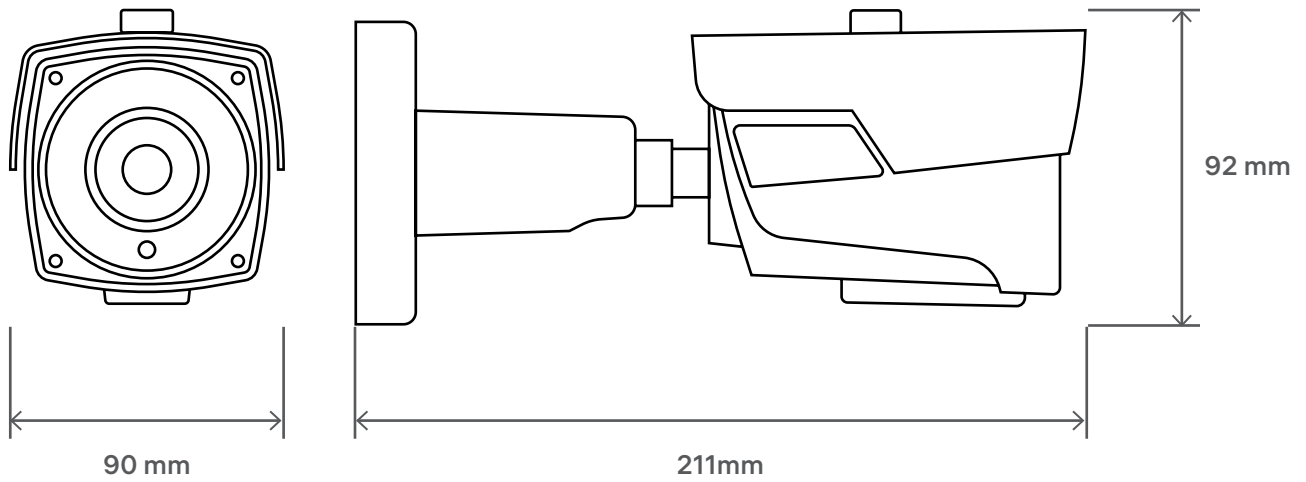
## Mobile app



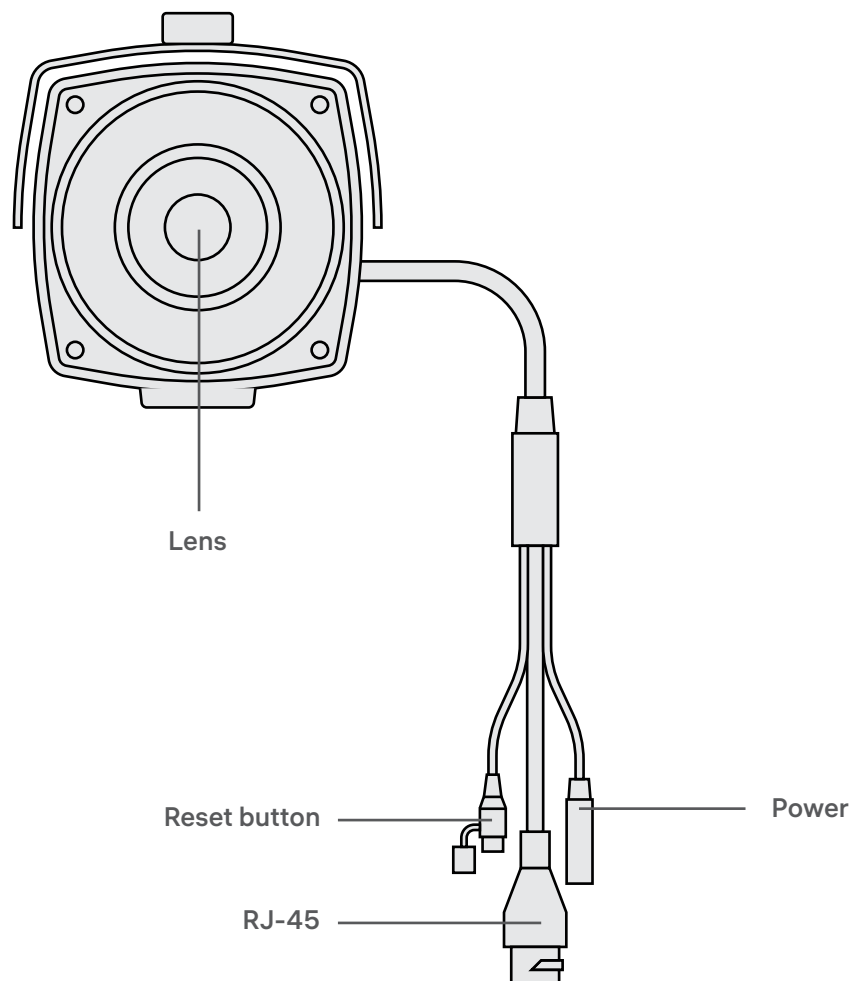
The mobile app allows you to manage the device from any place in the world. You may switch on devices and monitor their operation even when you're hundreds of miles away from home.



## Dimensions



## Basic Layout



# Specifications

## General Parameters

Power supply	DC 12V, PoE IEEE 802.3af
Power consumption, W	up to 12.95
Operating temperature, °C	-40 ... +50
Case material	metal
Protection level	IP67 for basic, a, e, i, g, b, c, t modifications IP64 for v, s, p, d, se, h, r, x modifications
Dimensions, mm	211×92×90
Weight, g	660

## Camera

Resolution	4 MP
Sensor	1/3" Progressive Scan CMOS
Minimum illumination	0.01 lx (color), 0.001 lx (b&w)
Field of view (H/V/D),°	103.4-29.3/54.3-16.5/124.2-33.6
Focal length	2,8~12 mm (manual)
Electronic shutter	PAL/NTSC: 1/3 – 1/100000
Noise reduction	2DNR, 3DNR
BLC, HLC	yes
DWDR	yes
Night mode	auto
IR distance	up to 40 m, Smart IR
Auto IRIS	yes, in i, b, c, d, t, h, r, x modifications
Built-in microphone	yes, in v, s, p, d, se, h, r, x modifications
MicroSD support	yes, in e, g, p, c, se, t, r, x modifications
Alarm inputs/outputs	yes, in a, g, s, b, se, t, h, x modifications

## Video

Frame rate, fps	2/5/10/15/20/25
Bitrate	512-8192 Kbps, VBR/CBR (variation $\leq \pm 10\%$ )
Compression	H.264 BP/H.264 MP/H.264 HP/H.265 MP
Dual-streaming	yes
Main stream resolution	up to 2560×1440
Sub-stream resolution	up to 1280×720 (768×576 default)
OSD title	text, date, time
Video transmission protocol	RTP over TCP/ RTP over UDP

## Network

Protocols	TCP/IP, ICMP, HTTP, HTTPS, DHCP, DNS, RTP, RTSP, RTCP, NTP, UDP, ONVIF
Network interface	RJ-45 (10/100Base-T)

## Package Contents

Rubetek RV-4324 IP Camera	1 pc
Mounting kit	1 pc
Technical passport	1 pc



[rubetek.com](http://rubetek.com)