



RADIO EXTENDER MODULE

RE-1

Technical Data Sheet

Description

This device is designed to increase the range of radio communication between CP-1 and RUBETEK wireless fire alarm devices, as well as to connect wireless devices to SC-1 system controller.

Key Features



RF 868 MHz



Easy system setup

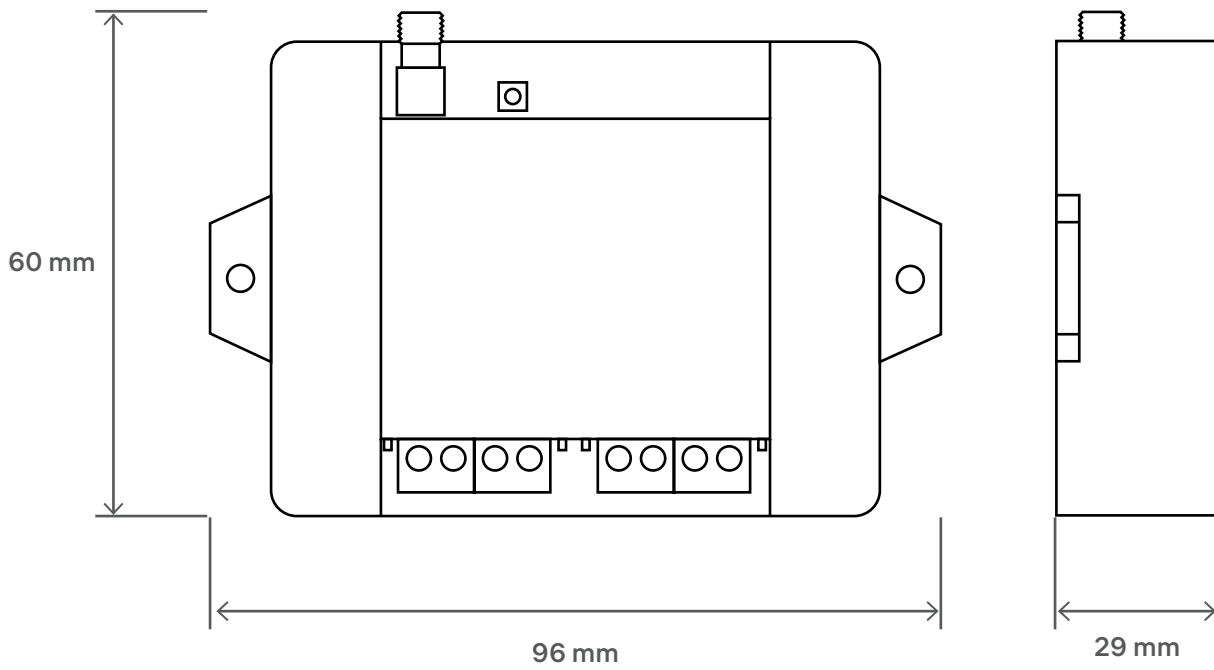


XTEA Encryption

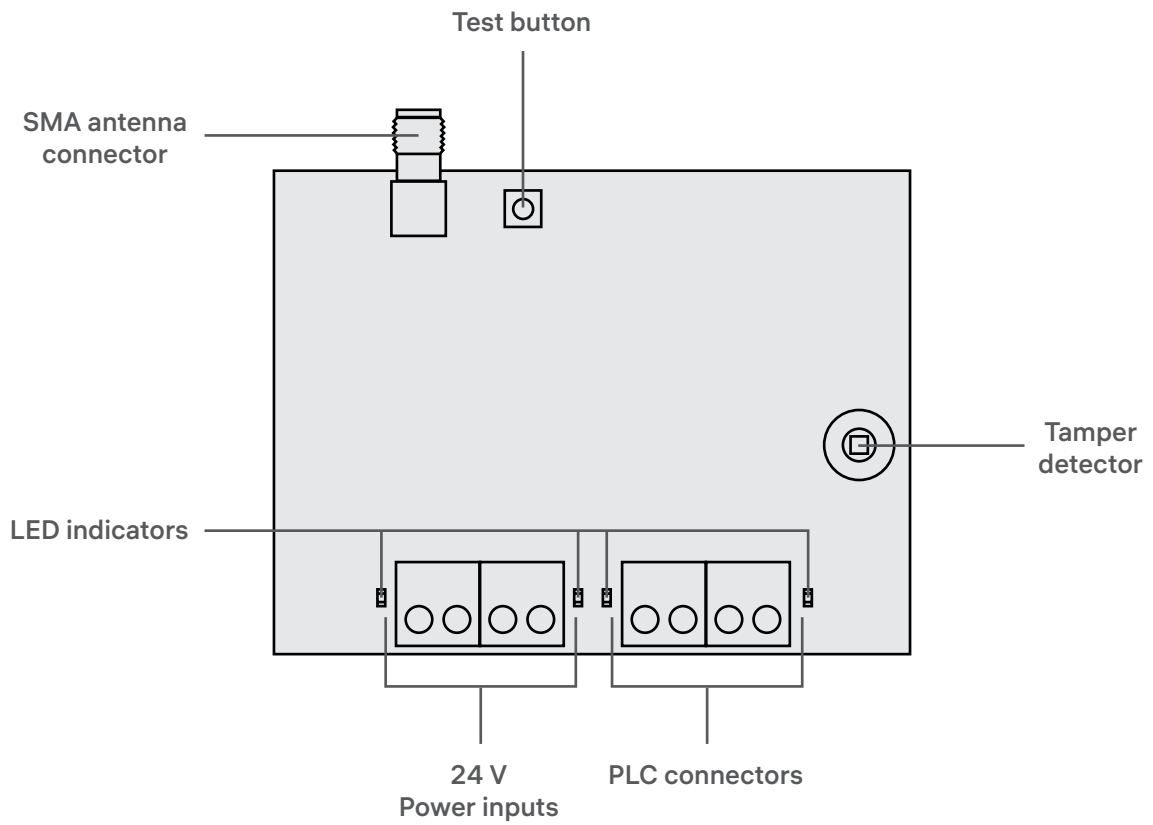


LED indication

Dimensions



Basic Layout



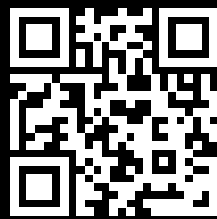
Specifications

General Parameters

Connection type	PLC
Supply voltage, V	main: DC 24 ± 20% standby: DC 24 ± 20%
Current consumption, mA, not more	14
The number of expanders connected via PLC interface, pcs	15
Availability of a built-in insulator	yes
Communication interface with notifiers	RF 868 MHz
Maximum communication range (in open terrain), m	900
Signal encryption	XTEA 128bit
Number of channels within the frequency range, pcs	5
Radiation power, MW, not more than	25
Operating temperature, °C	from -10 to +55
Relative air humidity, %	up to 93 % at 40°C
Case protection rating	IP20
Dimensions, mm	96 × 60 × 29
Weight, g, not more than	60
Average service life, years	10
Average time to failure, h	60000
Probability of trouble-free operation in 1000 hours	0.98

Package Contents

Radio Extender Module RE-1	1 pc
Antenna 868 MHz	1 pc
Mounting kit	1 pc
Technical certificate	1 pc
Individual packaging	1 pc optional



rubetek.com