



# **MOTORIZED BALL VALVE**

**RLP-3810**

Technical Data Sheet

## Description

Rubetek Motorized Ball Valve is a battery-powered wireless device. It helps to control water flow in your apartment remotely or manually. In pair with Water Leak Sensor the device can prevent flooding — if a leak is detected, Ball Valve closes water flow automatically. To add Motorized Ball Valve in the mobile app you need a hub device.

## Key Features



Wireless



RF 868 MHz



Battery life up to 3 years



XTEA Encryption

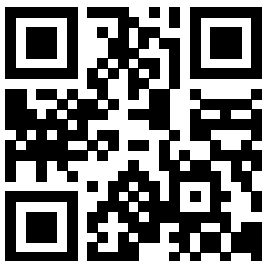


Over-the-Air updates



Indoor use

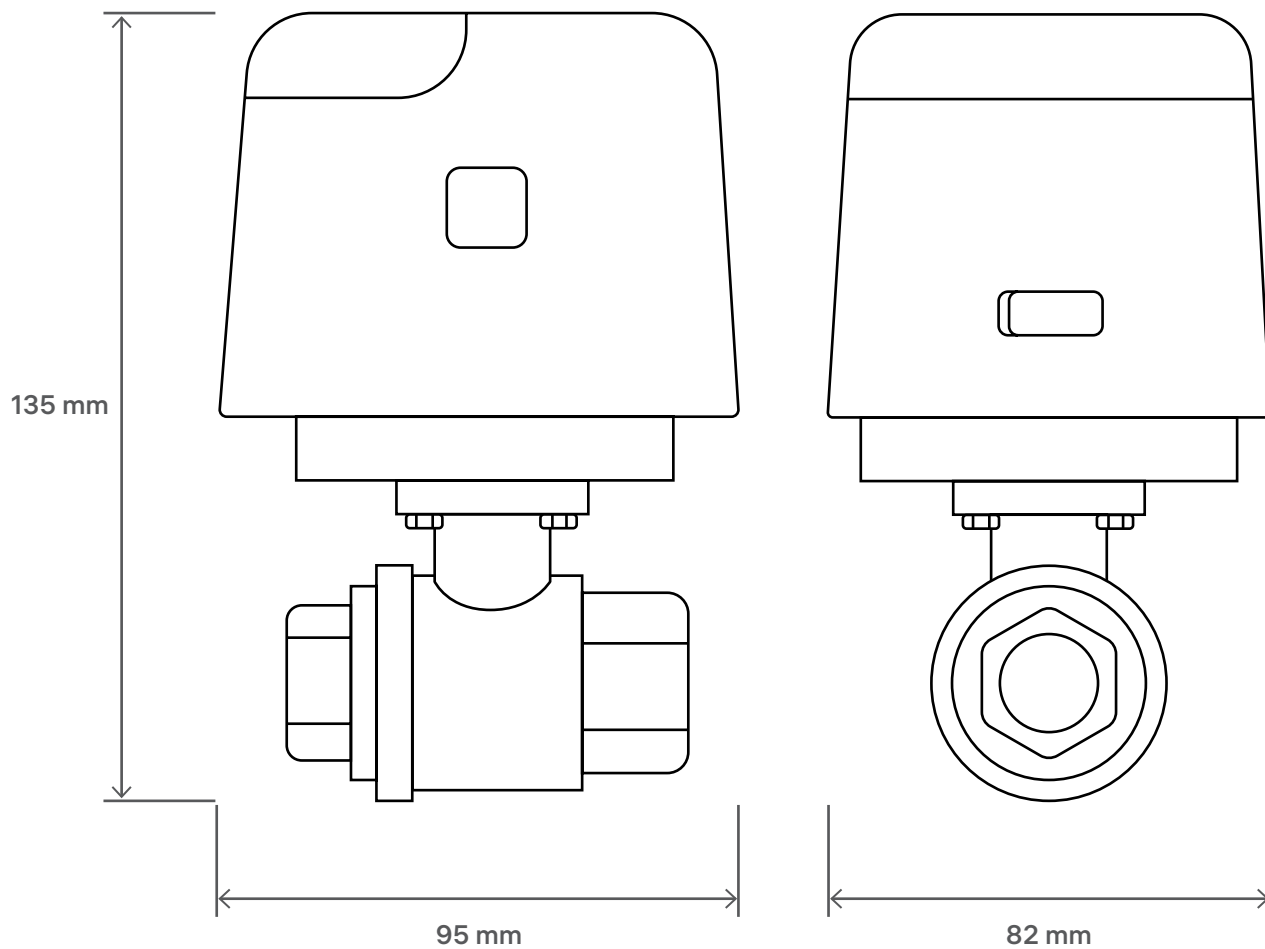
## Mobile app



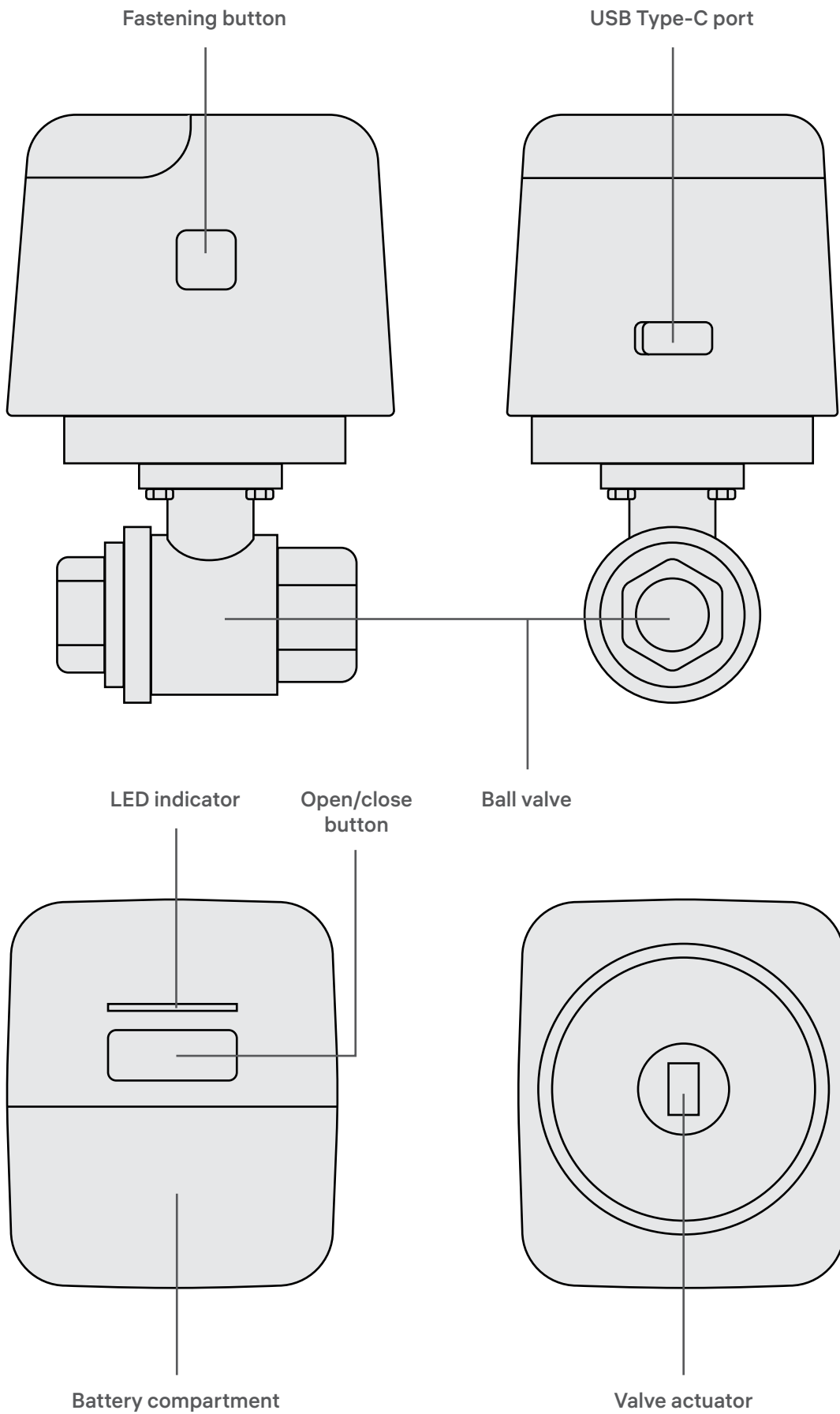
The mobile app allows you to manage the device from any place in the world. You may switch on devices and monitor their operation even when you're hundreds of miles away from home.



# Dimensions



# Basic Layout

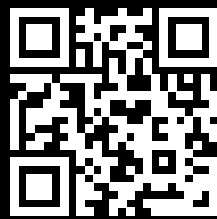


## Specifications

Connection type	RF 868 MHz
Radio signal range	up to 200 m outdoors
Power supply	DC 5 V, 1 A
Battery	4×AA
Battery life	up to 3 years
Operability confirmation interval	30 min
Battery level data	yes
RSSI (Received signal strength indicator)	yes
FOTA (Firmware Over-the-Air)	yes
Time to change position to 90°	~22 s
Operating temperature	0°C...+60°C
Operating humidity	up to 80% non-condensing
Installation	interior only
Case material	plastic
Dimensions	135×95×82 mm
Weight	549 g

## Package Contents

Motorized Ball Valve RLP-3810	1 pc
AA battery	4 pcs
Mounting kit	1 pc
Manual	1 pc
Warranty card	1 pc



[rubetek.com](http://rubetek.com)