



WATER LEAK SENSOR

RS-3225

Technical Data Sheet

Description

Rubetek Water Leak Sensor is a compact, battery-powered wireless device. It's equipped with 4 probes. When water contacts any 2 of them — water leak is detected. In that case the Sensor sends an alarm signal to the hub device. To add Water Leak Sensor in the mobile app you need a hub device.

Key Features



Wireless



RF 868 MHz



Battery life up to 3 years



XTEA Encryption

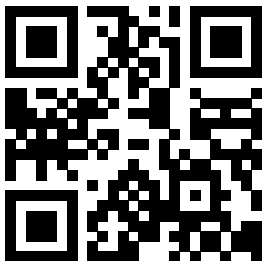


Over-the-Air updates



Indoor use

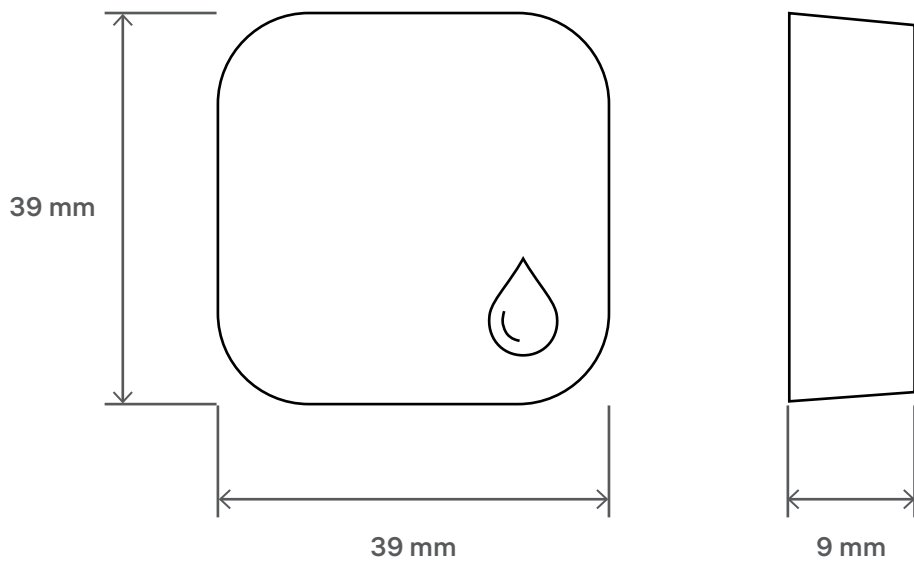
Mobile app



The mobile app allows you to manage the device from any place in the world. You may switch on devices and monitor their operation even when you're hundreds of miles away from home.

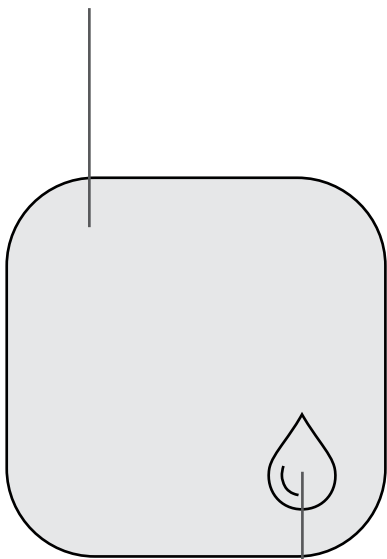


Dimensions

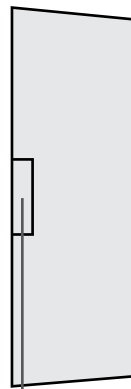


Basic Layout

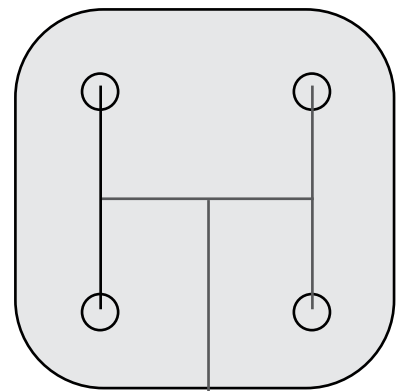
LED indicator



Sensor button



Battery
compartment
latch



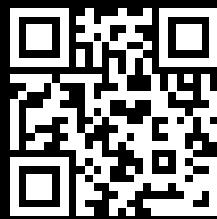
Moisture probes

Specifications

Connection type	RF 868 MHz
Radio signal range	up to 200 m outdoors
Operating voltage	3 V
Battery	CR2032
Battery life	up to 3 years
Operability confirmation interval	30 min
Battery level data	yes
RSSI (Received signal strength indicator)	yes
FOTA (Firmware Over-the-Air)	yes
Operating temperature	0°C...+40°C
Operating humidity	up to 80% non-condensing
Tamper detection	no
Installation	interior only
Case material	plastic
Dimensions	39×39×9 mm
Weight	22 g

Package Contents

Water Leak Sensor RS-3225	1 pc
CR2032 battery	1 pc
Manual	1 pc
Warranty card	1 pc



rubetek.com