



WI-FI POWER STRIP

RE-3310

Technical Data Sheet

Description

Rubetek Wi-Fi Power Strip is designed to control any connected appliances remotely. It is equipped with 4 outlets and 4 USB-ports. Power Strip activity can be scheduled by timers — 10 to turn on and 10 to turn off for each outlet.

Perfect device for controlling electronics in your home or office.

Key Features



Wi-Fi 2.4 GHz



XTEA Encryption

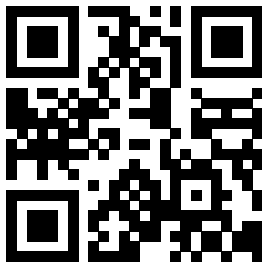


Programmable timers



RSSI support

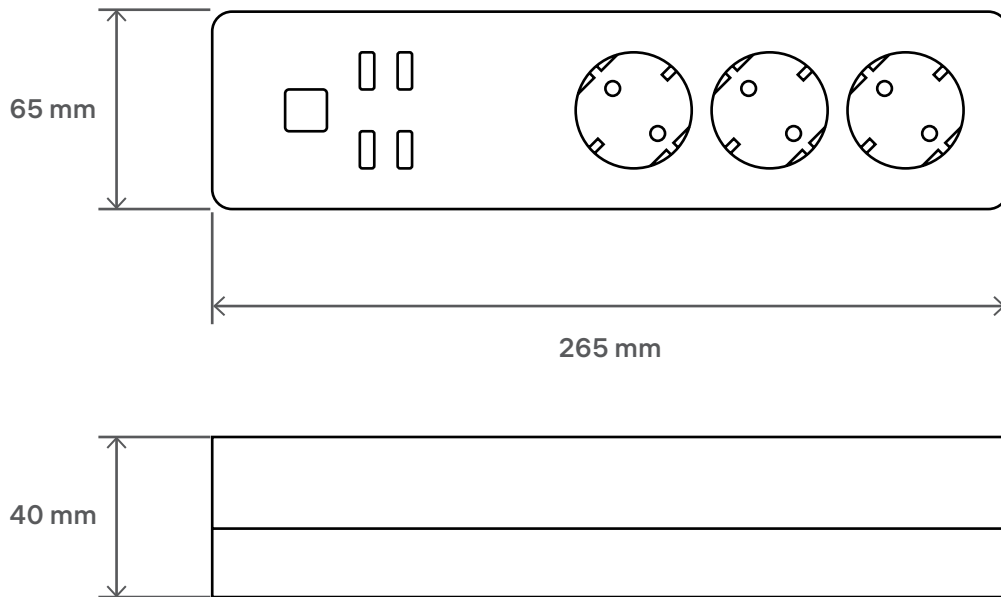
Mobile app



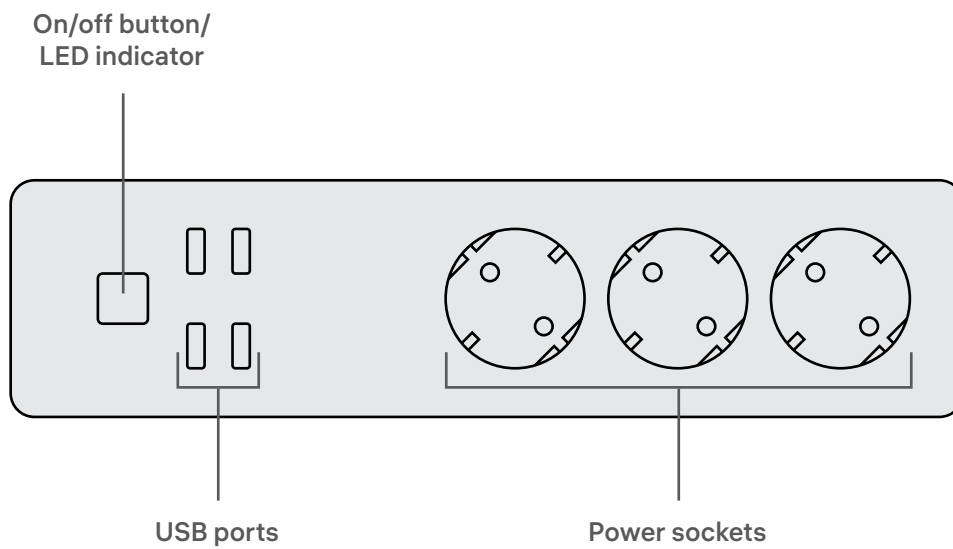
The mobile app allows you to manage the device from any place in the world. You may switch on devices and monitor their operation even when you're hundreds of miles away from home.



Dimensions



Basic Layout



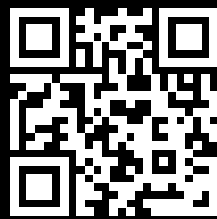
Specifications

General Parameters

Connection type	Wi-Fi
Wi-Fi frequency range	2.4 GHz
Wireless communication standards	IEEE 802.11b/g/n
Support 5 GHz Wi-Fi networks	no
Total voltage	AC 90-265 V
Max load	2.5 kW/10 A
Outputs	4×USB, 3×AC sockets
Outlet type	EU Type F (Schuko)
Output voltage AC	90-265 V, 50/60 Hz
Output voltage DC (for 4 USB)	5 V, 2.4 A
Cable length	1.8 m
Timers	10 to turn on, 10 to turn off
Installation	interior only
Mobile App	iOS (version 15.0 or higher) Android (version 7.0 or higher)
Case material	plastic
Dimensions	265×65×40 mm
Weight	480 g

Package Contents

Wi-Fi Power Strip RE-3310	1 pc
Manual	1 pc
Warranty card	1 pc



rubetek.com