

SMART BUTTON

RL-3337

Technical Data Sheet

Description

Rubetek Smart Button is a compact, battery-powered controller. It is designed to be installed in standard wall switch boxes. The Button allows you to map each channel of a single, double or triple light switch to a different scenario of your choice. To add Smart Button in the mobile app you need a hub device.

Key Features



Wireless



RF 868 MHz



Battery life up to 3 years



XTEA Encryption

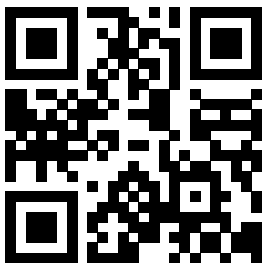


Over-the-Air updates



Indoor use

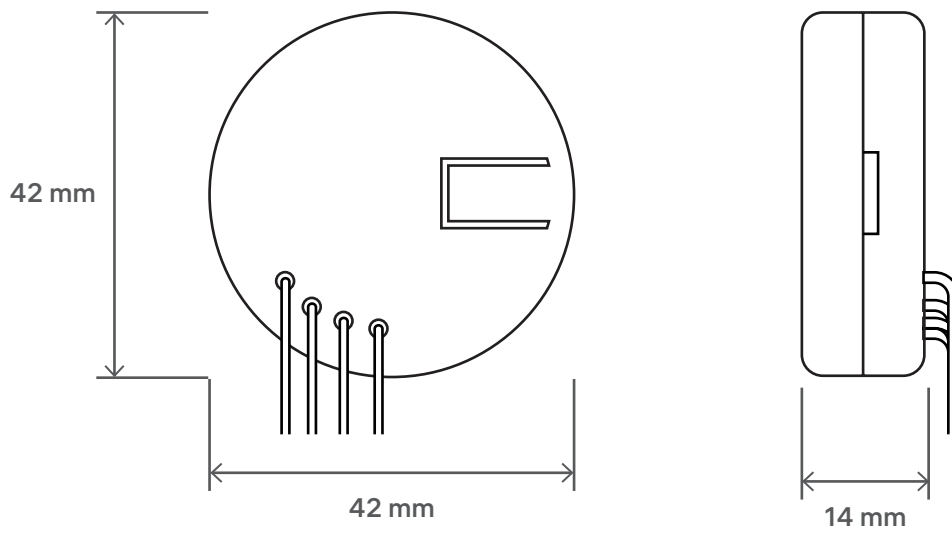
Mobile app



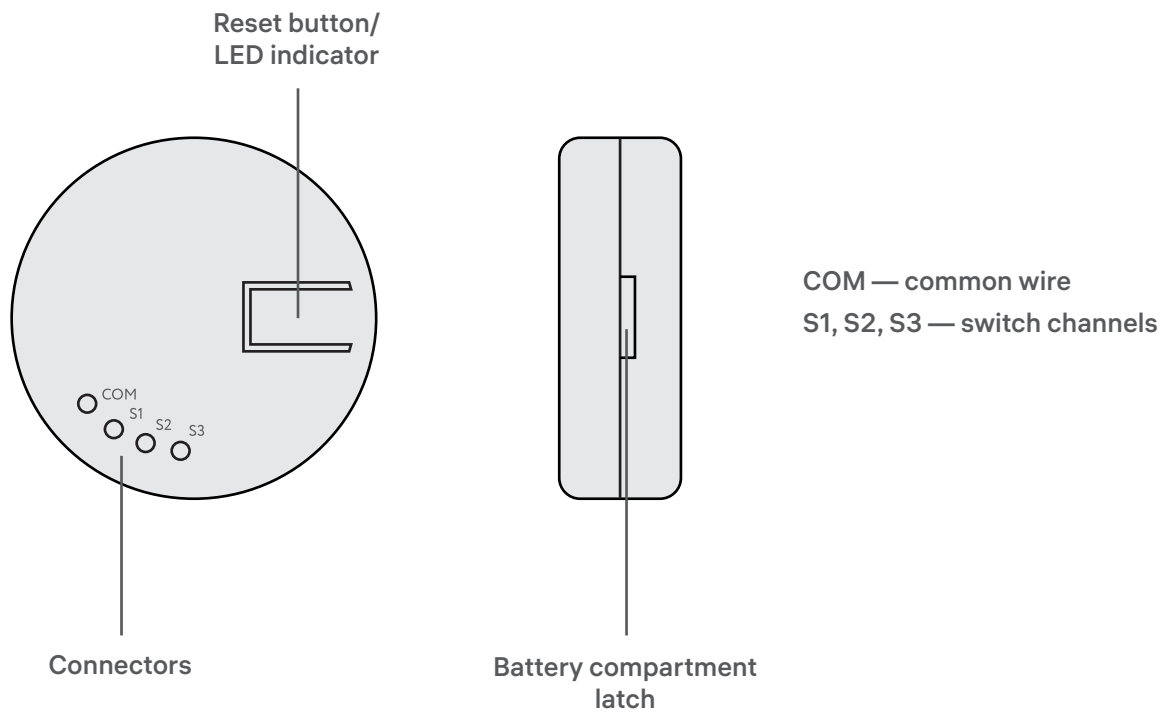
The mobile app allows you to manage the device from any place in the world. You may switch on devices and monitor their operation even when you're hundreds of miles away from home.



Dimensions



Basic Layout



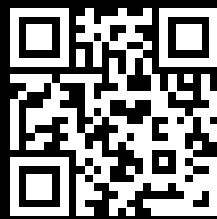
Specifications

General Parameters

Connection type	RF 868 MHz
Radio signal range	up to 200 m outdoors
Operating voltage	3 V
Battery	CR2450
Battery life	up to 3 years
Operability confirmation interval	30 min
Battery level data	yes
RSSI (Received signal strength indicator)	yes
FOTA (Firmware Over-the-Air)	yes
Operating temperature	0°C...+40°C
Operating humidity	up to 80% non-condensing
Installation	interior only
Case material	plastic
Dimensions	42×42×14 mm
Weight	32 g

Package Contents

Smart Button RL-3337	1 pc
CR2450 battery	1 pc
Warranty card	1 pc
Manual	1 pc



rubetek.com