



**TWO-BUTTON
REMOTE CONTROL PANEL**

RL-3126

Technical Data Sheet

Description

Rubetek Two-Button Remote Control Panel is a battery-powered wireless device. Panel is equipped with a radio module. It sends a signal to the hub device by your touch and starts any scenario of your choice — turn off the lights, open curtains, switch off power etc. More buttons — more scripts. To add Two-Button Remote Control Panel in the mobile app you need a hub device.

Key Features



Wireless



RF 868 MHz



Battery life up to 3 years



XTEA Encryption

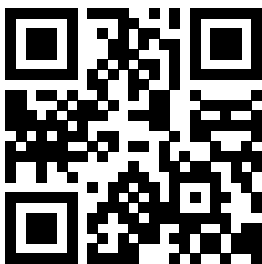


Over-the-Air updates



Indoor use

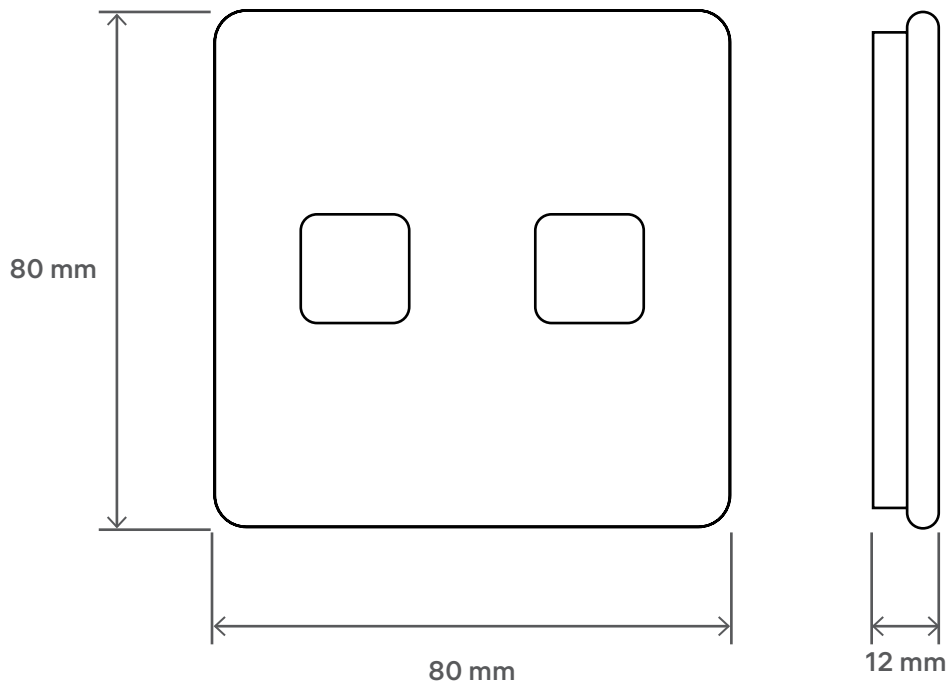
Mobile app



The mobile app allows you to manage the device from any place in the world. You may switch on devices and monitor their operation even when you're hundreds of miles away from home.

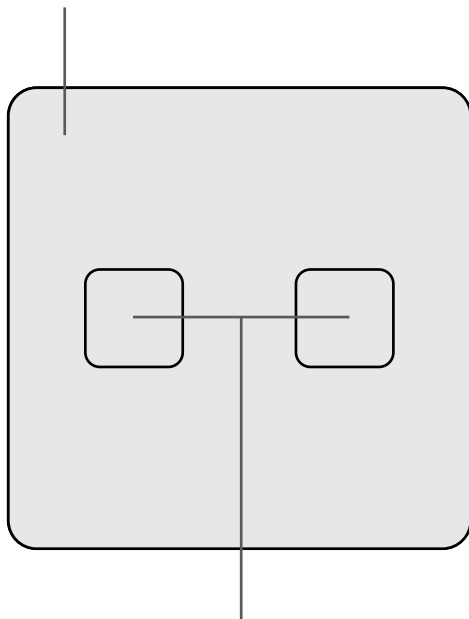


Dimensions



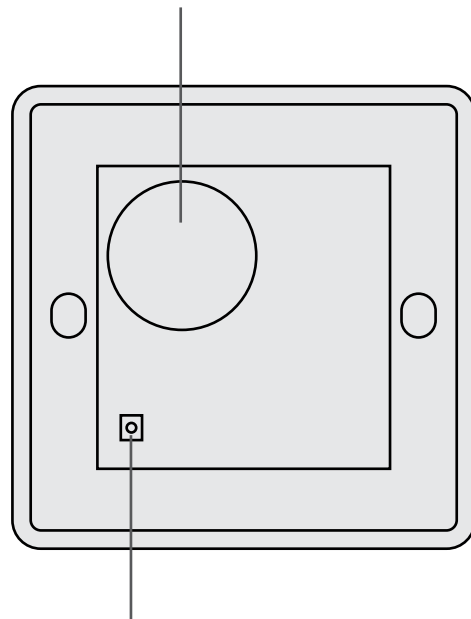
Basic Layout

LED indicator



Sensor buttons

Battery



Reset button

Specifications

Connection type	RF 868 MHz
Radio signal range	up to 200 m outdoors
Operating voltage	3 V
Battery	CR2450
Battery life	up to 3 years
Operability confirmation interval	30 min
Battery level data	yes
RSSI (Received signal strength indicator)	yes
FOTA (Firmware Over-the-Air)	yes
Operating temperature	0°C...+40°C
Operating humidity	up to 80% non-condensing
Installation	interior only
Case material	plastic, glass
Dimensions	80×80×12 mm
Weight	100 g

Available Colors



White



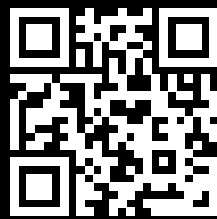
Anthracite



Beige

Package Contents

Two-Button Remote Control Panel RL-3126	1 pc
CR2450 battery	1 pc
3M tape	1 pc
Manual	1 pc
Warranty card	1 pc



rubetek.com