



# **TEMPERATURE AND HUMIDITY SENSOR**

**RC-3605**

Technical Data Sheet

## Description

Rubetek Temperature and Humidity Sensor is a compact, battery-powered wireless device. Sensor helps to control room climate and automate heating, air conditioning and ventilation. It detects shifts in temperature and humidity with a threshold of 1° C and 3% respectively and sends a signal to the hub device.

To add Temperature and Humidity Sensor in the mobile app you need a hub device.

## Key Features



Wireless



RF 868 MHz



Battery life up to 3 years



XTEA Encryption

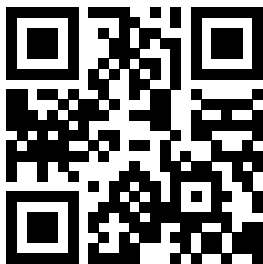


Over-the-Air updates



Indoor use

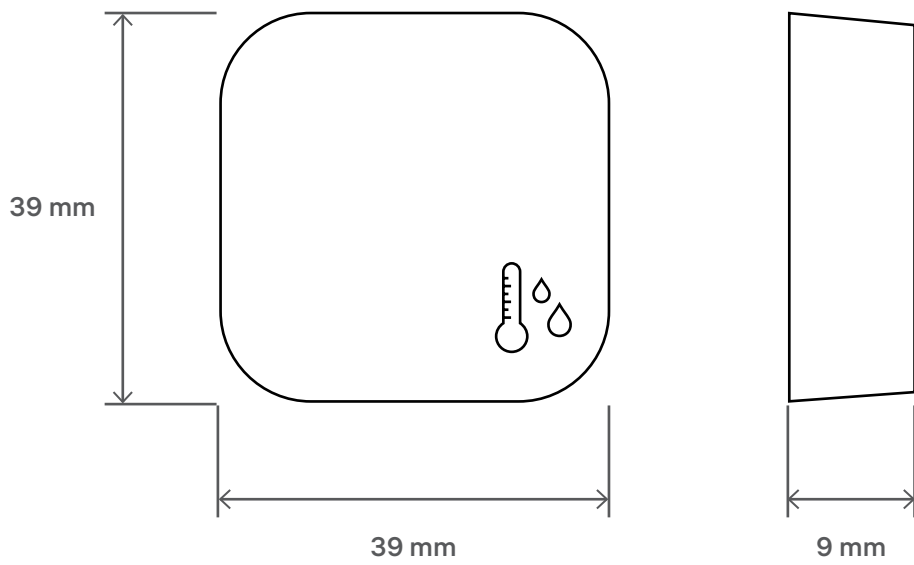
## Mobile app



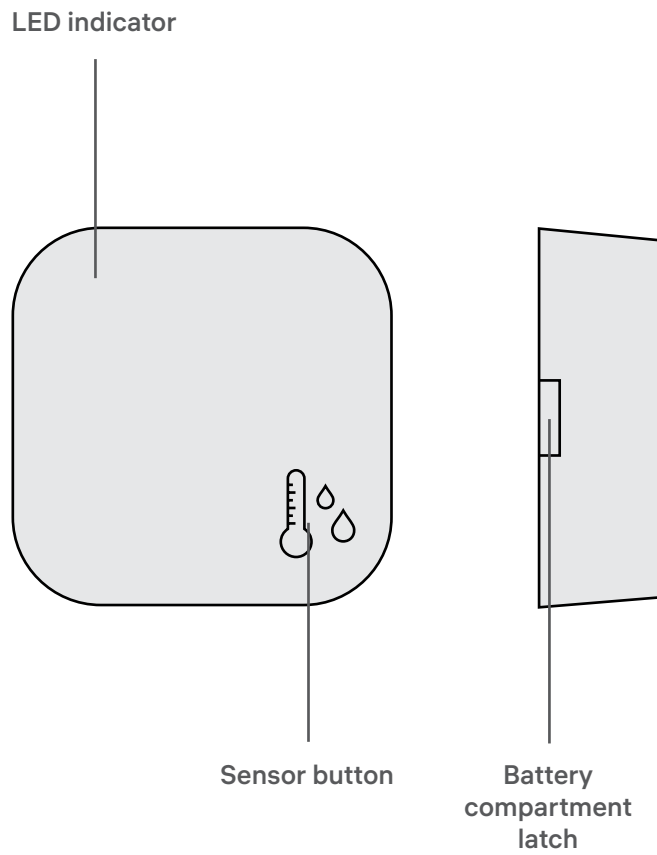
The mobile app allows you to manage the device from any place in the world. You may switch on devices and monitor their operation even when you're hundreds of miles away from home.



# Dimensions



# Basic Layout

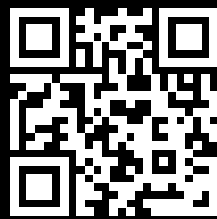


## Specifications

Connection type	RF 868 MHz
Radio signal range	up to 200 m outdoors
Temperature update threshold	1 °C
Humidity update threshold	3%
Operating voltage	3 V
Battery	CR2032
Battery life	up to 3 years
Operability confirmation interval	30 min
Battery level data	yes
RSSI (Received signal strength indicator)	yes
FOTA (Firmware Over-the-Air)	yes
Operating temperature	0°C...+40°C
Operating humidity	up to 80% non-condensing
Tamper detection	no
Installation	interior only
Case material	plastic
Dimensions	39×39×9 mm
Weight	22 g

## Package Contents

Temperature and Humidity Sensor RC-3605	1 pc
CR2032 battery	1 pc
3M tape	1 pc
Manual	1 pc
Warranty card	1 pc



[rubetek.com](https://rubetek.com)