



**WIRELESS ADDRESSABLE
MANUAL CALL POINT
MCPW-1**

Technical Data Sheet

Description

The device is designed for manual activation of «Fire» signal in RUBETEK addressable fire alarm system. It is used with CP-1 receiving and control device (Control Panel) and, through RE-1 radio expander, with SC-1 controller. Communication with system devices is carried out via RF 868 MHz wireless protocol.

Key Features



RF 868 MHz



Easy system setup

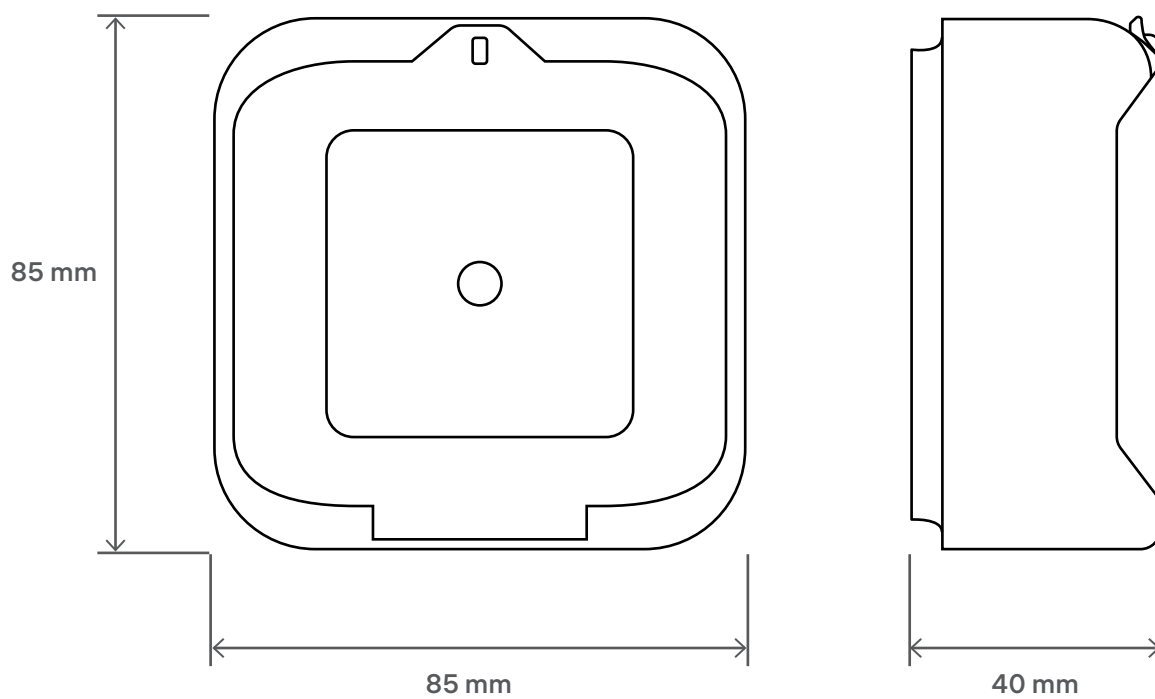


XTEA Encryption

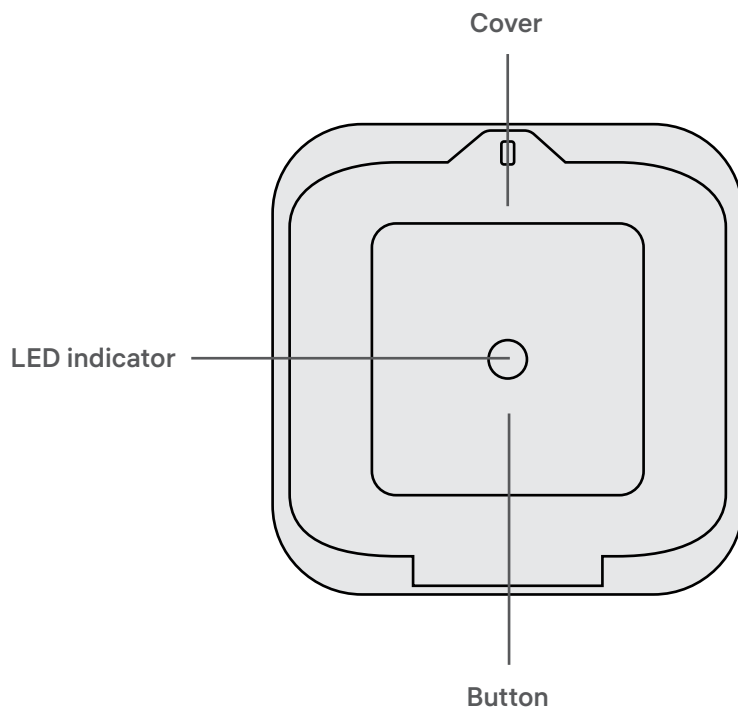


LED indication

Dimensions



Basic Layout



Specifications

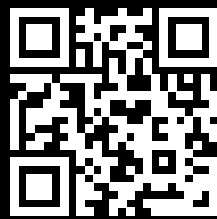
General Parameters

Connection type	RF 868 MHz
Power supply, V	main: 3 V, CR123A 1500 mAh battery backup: 3 V, CR2032 210 mAh battery
Battery life	main: at least 3 years backup: at least 3 months
Activation with the force of pressing the button, N, at least	25
Maximum communication range (in open terrain), m	900
Signal encryption	XTEA 128bit
Radiation power, MW, not more than	25
Number of channels within the frequency range, pcs	5
Tamper alarm	yes
Operating temperature, °C	from -10 to +55
Operating relative humidity, non-condensing	up to 93% at +40°C
Case protection rating	IP20
Dimensions, mm	85 × 85 × 40
Weight, g, not more than	110 ± 5%
Average service life, years	10
Average time to failure, h	60000

Package Contents

Wireless Addressable Manual Call Point MCPW-1	1 pc
Reset key	1 pc
CR123A battery	1 pc preinstalled
CR2032 battery	1 pc preinstalled
Mounting kit	1 pc
Technical certificate	1 pc*
Group packaging	1 pc*

* per shipping lot or per every 27 pcs



rubetek.com