



# SHORT CIRCUIT ISOLATOR MODULE

**SCI-1**

Technical Data Sheet

## Description

This device is designed to open a part of PLC when signs of a short circuit are detected. It is used with CP-1 receiving and control device (Control Panel) and SC-1 controller.

## Key Features



PLC



Easy system setup

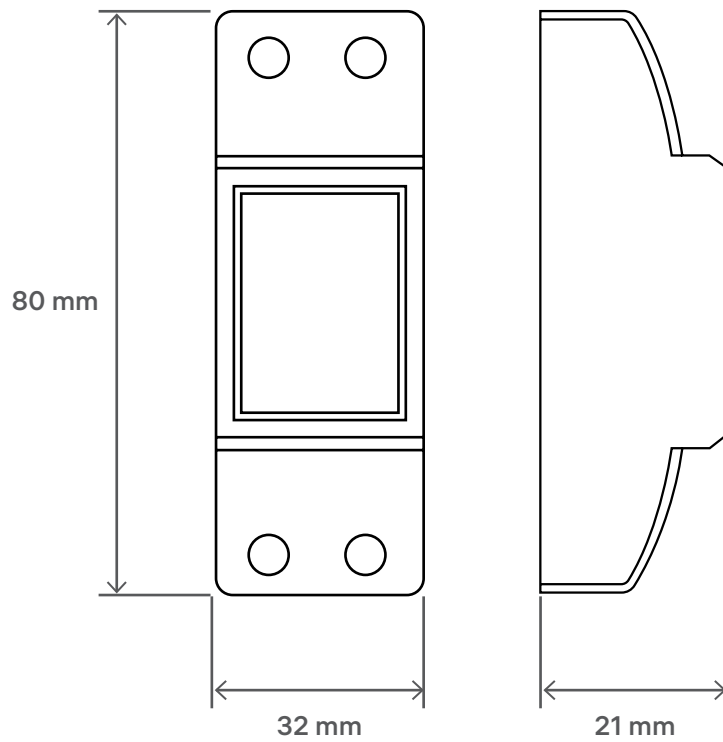


Low transmission latency

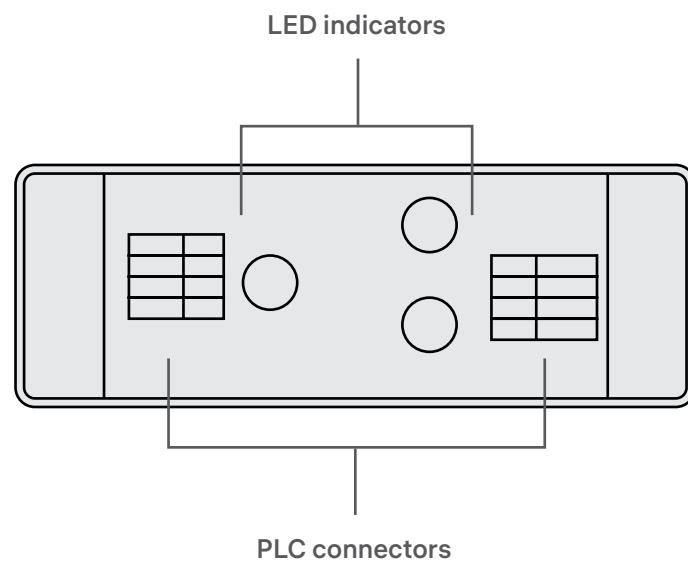


LED indication

## Dimensions



## Basic Layout



# Specifications

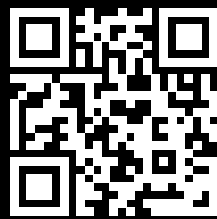
## General Parameters

Connection type	PLC
Power supply	according to PLC
Current consumption from PLC, mA, not more than	in standby mode : 0.5 in «short circuit on line» mode : 7
Number of PLC inputs, pcs	3
operating temperature, °C	from -25 to +55
Relative air humidity, %	up to 93 % at 40°C
Case protection rating	IP40
Dimensions, mm	80 x 32 x 21
Weight, g, not more than	30
Average service life, years	10
Average time to failure, h	60000

# Package Contents

Short Circuit Isolator Module SCI-1	1 pc
Mounting kit	1 pc
Technical certificate	1 pc*
Individual packaging	1 pc*
Group packaging	1 pc*

\* per shipping lot or per every 6 pcs



[rubetek.com](http://rubetek.com)